

WEREVER WATERPROOF CABINETRY

CABINET SPECIFICATIONS

For help designing your space, please contact us to use our FREE DESIGN SERVICE. You can tell us your ideas in any format. We can work with blueprints, hand drawn notes, or anything in between. Call, email, or fax us and we will provide:

- ✓ A CAD-quality design
- ✓ An itemized quote
- ✓ Plan views (top view) of your cabinetry
- ✓ Elevation views (front view)
- ✓ Realistic 3-D renderings.

Once you receive your free design, we will be happy to tweak or redesign your plan, still for free, with zero pressure or obligation.

Please visit our website at www.werever.com.

- ✓ See hundreds of real project pictures
- ✓ Request a **free product sample**.

You can shop with confidence knowing Werever has been in business since 2001 and has thousands of projects in every state in the USA, including Alaska and Hawaii! Our cabinets have been tested and proven in every environment.

Contact us today and speak with one of our friendly team members. We look forward to serving you!

Werever Products Inc.
6120 Pelican Creek Circle
Riverview, FL 33578

813.241.9701 – phone
813-241.9705 – fax
info@werever.com – email

CABINET SPECIFICATION CONTENTS

STANDARD BASE CABINETS

Cabinets with Full Height Door	Page 5
Cabinets with Drawer	

SINK CABINETS

Sink Base Cabinets with False Drawer Face	Page 6
Sink Base Cabinets with Full Height Door	Page 7
Sink Base Cabinets with Tilt-Out Face	Page 8

DRAWER BANK CABINETS

Drawer Base Cabinets with Three Drawers	Page 9
Drawer Base Cabinets with Four Drawers	

GRILL & SIDE BURNER CABINETS

Grill Base Cabinets	Page 10
Side Burner Cabinets	
Grill Pedestal Cabinets with Doors	Page 11
Grill Pedestal Cabinets with Drawers	
Grill Pedestal Cabinets with LP Tank Tray	Page 12
Grill Pedestal Cabinets with Pull-Out Trash	

Grill Cabinet with Warming Drawer

Page 13

BLIND-BASE CORNER CABINETS

Blind-Base Corner Cabinets – Standard Depth

Page 14

Blind-Base Corner Filler

Blind-Base Corner Cabinets – Grill Depth

Page 15

OPEN SHELF BASE CABINETS

Open Shelf Base Cabinets

Page 15

TRASH CABINETS

Pull-Out Trash Cabinets

Page 16

Pull-Out Trash Cabinets with Drawer

PULL-OUT CABINETS

Pull-Out LP Tank Cabinets

Page 17

Pull-Out LP Tank Cabinets with Drawer

Pull-Out Tray Cabinets with Full Height Door

Page 18

Pull-Out Tray Cabinets with Drawer

Pull-Out Cooler Tray Cabinet

Page 19

Pull-Out Cooler Tray Cabinet with Drawer

BI-LEVEL OR BAR HEIGHT CABINETS

Bi-Level Cabinets

Page 20

TALL / PANTRY CABINETS

Tall / Pantry Cabinets

Page 22

BASE FILLERS, PANELS, & TRIM PIECES

Base Fillers

Page 23

Small Base Fillers

Base Filler with Double Return

Page 24

Refrigerator Filler

Refrigerator End Panel

Page 25

Finished Return Panel

Finished Back Panel

Page 26

Finished End Panel

Stemware Glass Holder

Page 27

Toe Kick Panels

Corbels

Page 28

WALL CABINETS

Standard Wall Cabinets

Page 29

Open Shelf Wall Cabinets

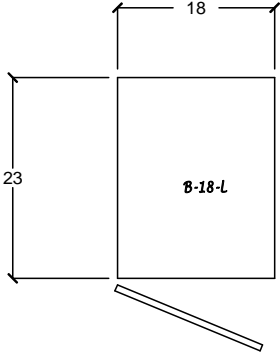
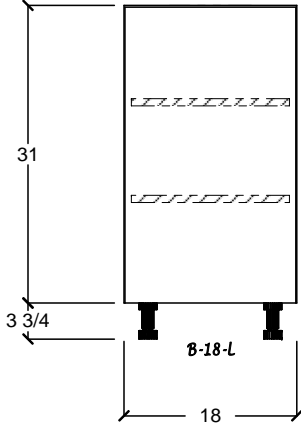
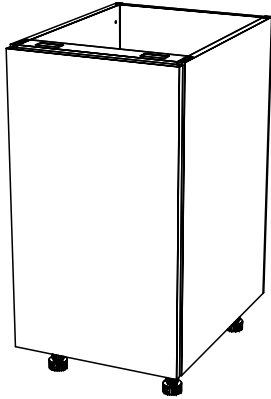
Page 30

Blind Corner Wall Cabinets

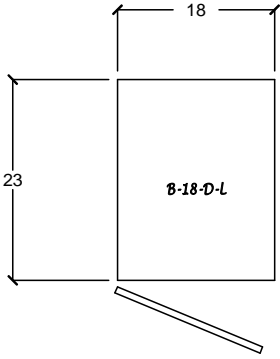
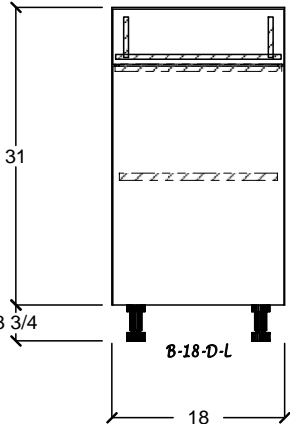
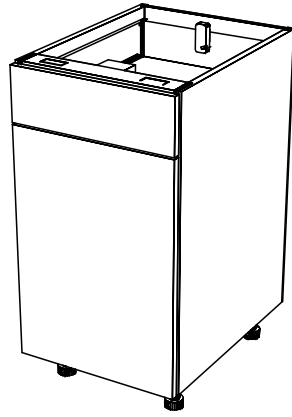
Page 31

Appendix: Werver Architect CSI Specifications

Base Cabinet with Full Height Door(s)

Top View	Front View	3-D	Available Models	door	drwr	shelf	L / R
 <p>Depth is cabinet box WITHOUT door. The door plus spacer adds 1 inch (1") to the overall depth.</p>			B-9 B-12 B-15 B-18* B-21 B-24 B-27 B-30 B-33 B-36	1 1 1 1 2 2 2 2 2 2	0 0 0 0 0 0 0 0 0 0	2 2 2 2 2 2 2 2 2 2	Y Y Y Y N N N N N N
			*shown in example				

Base Cabinet with One Drawer

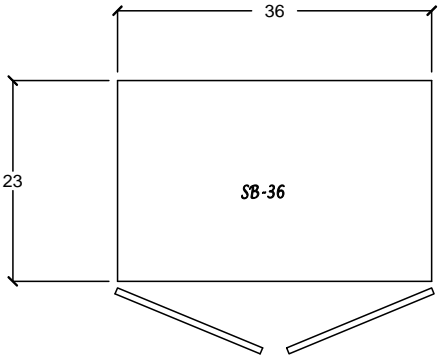
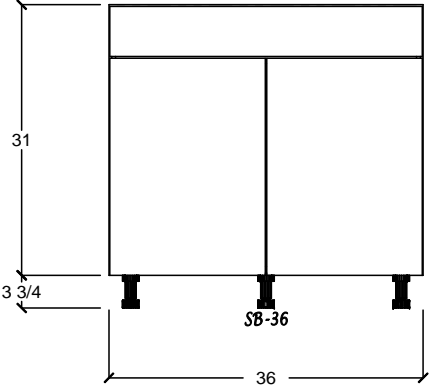

Top View	Front View	3-D	Available Models	door	drwr	shelf	L / R
 <p>Depth is cabinet box WITHOUT door. The door plus spacer adds 1 inch (1") to the overall depth.</p>			B-9-D B-12-D B-15-D B-18-D* B-21-D B-24-D B-27-D B-30-D	1 1 1 1 2 2 2 2	1 1 1 1 1 1 1 1	1 1 1 1 1 1 1 1	Y Y Y Y N N N N
			*shown in example				

Werever Products Inc.
 6120 Pelican Creek Circle
 Riverview, FL 33578

813.241.9701 - phone
 813.241.9705 - fax
 info@werever.com

Please contact us to use our **FREE DESIGN SERVICE**. We will provide a design with 3-D renderings and a no obligation quote.

Sink Base with False Drawer Face

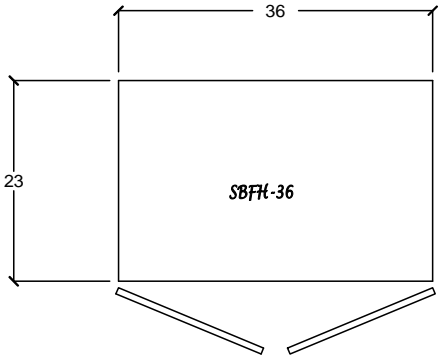
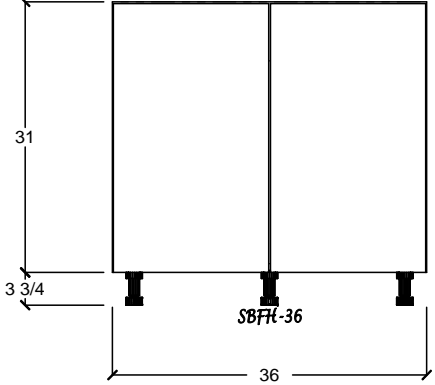

Top View	Front View	3-D	Available Models	door	drwr	shelf	L / R
 <p>SB-36</p>	 <p>SB-36</p>		SB-9 SB-12 SB-15 SB-18 SB-21 SB-24 SB-27 SB-30 SB-33 SB-36* SB-39 SB-42 SB-45 SB-48 SB-51 SB-54 SB-57	1 1 1 1 2 2 2 2 2 2 2 2 4 4 4 4 4 4	0 0 0 0 0 0 0 0 0 0 0 0 0 0 0 0 0 0	0 0 0 0 0 0 0 0 0 0 0 0 0 0 0 0 0 0	Y Y Y Y N N N N N N N N N N N N N N
Depth is cabinet box WITHOUT door. The door plus spacer adds 1 inch (1") to the overall depth.			*shown in example				

Werever Products, Inc.
 3900 South 50th Street
 Tampa, FL 33619

813.241.9701 - phone
 813.241.9705 - fax
 info@werever.com

Please contact us to use our **FREE DESIGN SERVICE**. We will provide a design with 3-D renderings and a no obligation quote.

Sink Base with Full Height Door

Top View	Front View	3-D	Available Models	door	drwr	shelf	L / R
			SBFH-9	1	0	0	Y
			SBFH-12	1	0	0	Y
<p>Depth is cabinet box WITHOUT door. The door plus spacer adds 1 inch (1") to the overall depth.</p>			SBFH-15	1	0	0	Y
			SBFH-18	1	0	0	Y
			SBFH-21	2	0	0	N
			SBFH-24	2	0	0	N
			SBFH-27	2	0	0	N
			SBFH-30	2	0	0	N
			SBFH-33	2	0	0	N
			SBFH-36*	2	0	0	N
			SBFH-39	2	0	0	N
			SBFH-42	4	0	0	N
			SBFH-45	4	0	0	N
			SBFH-48	4	0	0	N
			SBFH-51	4	0	0	N
			SBFH-54	4	0	0	N
			SBFH-57	4	0	0	N

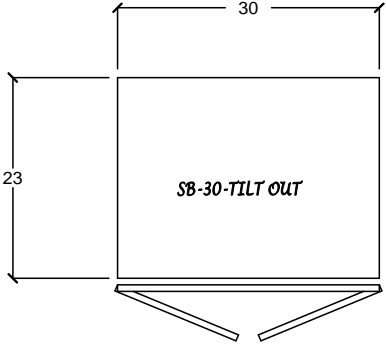
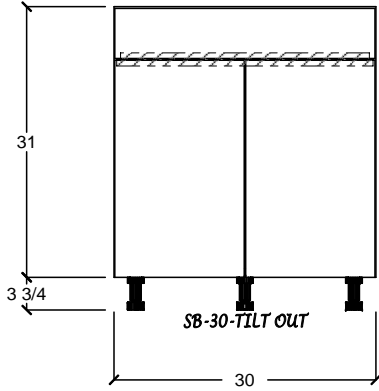

*shown in example

Werever Products, Inc.
3900 South 50th Street
Tampa, FL 33619

813.241.9701 - phone
813.241.9705 - fax
info@werever.com

Please contact us to use our **FREE DESIGN SERVICE**. We will provide a design with 3-D renderings and a no obligation quote.

Sink Base with Tilt-Out Face

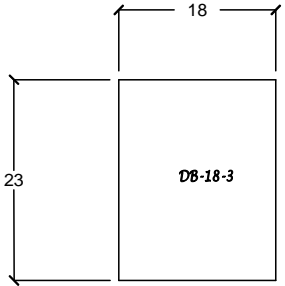
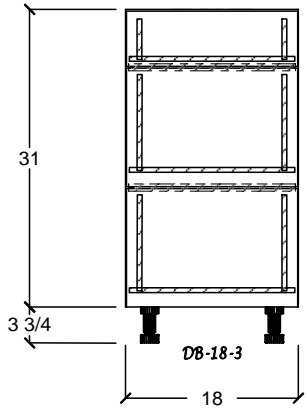
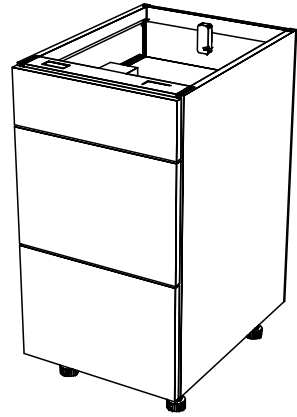
Top View	Front View	3-D	Available Models	door	drwr	shelf	L / R
			SB-9-TILT OUT SB-12-TILT OUT SB-15-TILT OUT SB-18-TILT OUT SB-21-TILT OUT SB-24-TILT OUT SB-27-TILT OUT SB-30-TILT OUT*	1 1 1 1 2 2 2 2	0 0 0 0 0 0 0 0	0 0 0 0 0 0 0 0	Y Y Y Y N N N N
<p>Depth is cabinet box WITHOUT door. The door plus spacer adds 1 inch (1") to the overall depth.</p>			<p>*shown in example</p>				

Werever Products, Inc.
 3900 South 50th Street
 Tampa, FL 33619

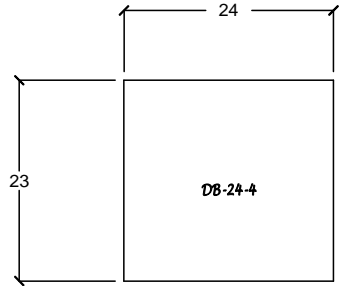
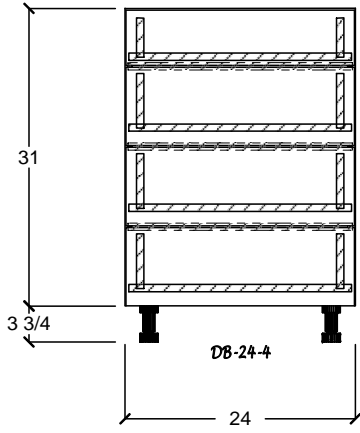

813.241.9701 - phone
 813.241.9705 - fax
 info@werever.com

Please contact us to use our **FREE DESIGN SERVICE**. We will provide a design with 3-D renderings and a no obligation quote.

Drawer Base Cabinet with Three Drawers

Top View	Front View	3-D	Available Models	door	drwr	shelf	L / R
 <p>DB-18-3</p> <p>18</p> <p>23</p>	 <p>DB-18-3</p> <p>31</p> <p>3 3/4</p> <p>18</p>		DB-9-3 DB-12-3 DB-15-3 DB-18-3* DB-21-3	0 0 0 0 0	3 3 3 3 3	0 0 0 0 0	N N N N N
<p>Depth is cabinet box WITHOUT door. The door plus spacer adds 1 inch (1") to the overall depth.</p>			<p>*shown in example</p>				

Drawer Base Cabinet with Four Drawers

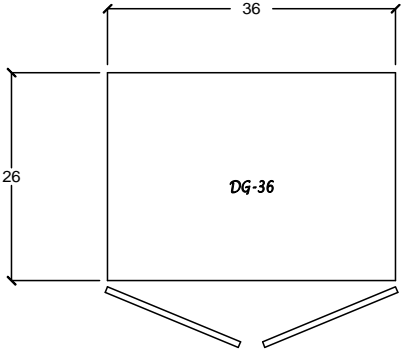
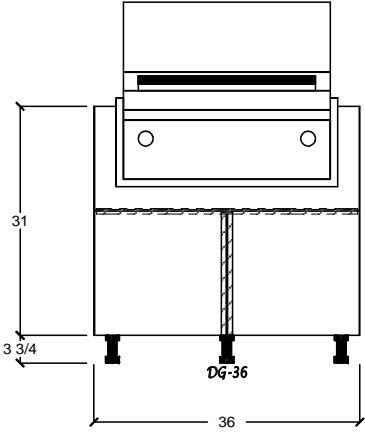
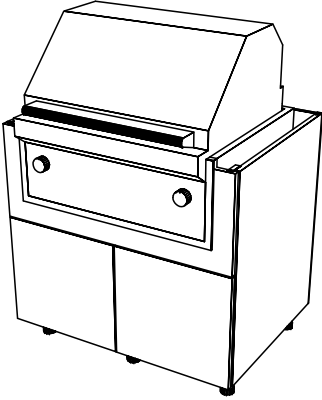
Top View	Front View	3-D	Available Models	door	drwr	shelf	L / R
 <p>DB-24-4</p> <p>24</p> <p>23</p>	 <p>DB-24-4</p> <p>31</p> <p>3 3/4</p> <p>24</p>		DB-24-4* DB-27-4	0 0	4 4	0 0	N N
<p>Depth is cabinet box WITHOUT door. The door plus spacer adds 1 inch (1") to the overall depth.</p>			<p>*shown in example</p>				

Werver Products, Inc.
 3900 South 50th Street
 Tampa, FL 33619

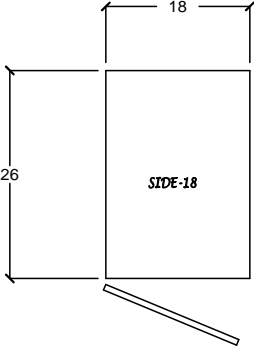
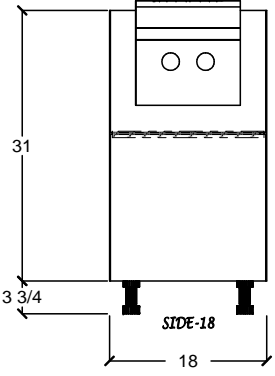
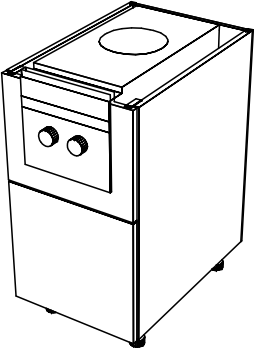
813.241.9701 - phone
 813.241.9705 - fax
 info@werver.com

Please contact us to use our **FREE DESIGN SERVICE**. We will provide a design with 3-D renderings and a no obligation quote.

Grill Base Cabinet

Top View	Front View	3-D	Available Models	door	drwr	shelf	L / R
 <p>DG-36</p> <p>Depth is cabinet box WITHOUT door. The door plus spacer adds 1 inch (1") to the overall depth.</p>	 <p>DG-36</p> <p>grill not included with cabinet</p>		DG-27 DG-30 DG-33 DG-36* DG-39 DG-42 DG-45 DG-48 DG-51 DG-54 DG-57 DG-60 DG-63	2 2 2 2 4 4 4 4 4 4 4 4	0 0 0 0 0 0 0 0 0 0 0 0	0 0 0 0 0 0 0 0 0 0 0 0	N N N N N N N N N N N N
			*shown in example				

Side Burner Cabinet

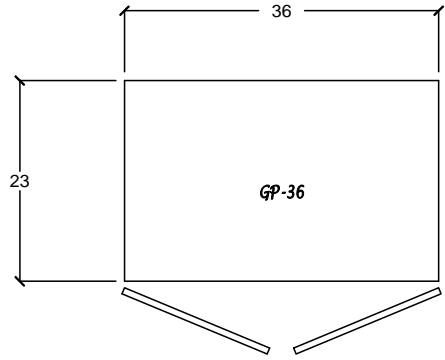
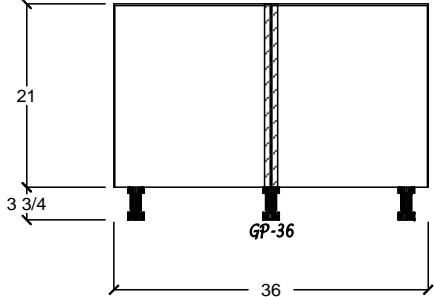
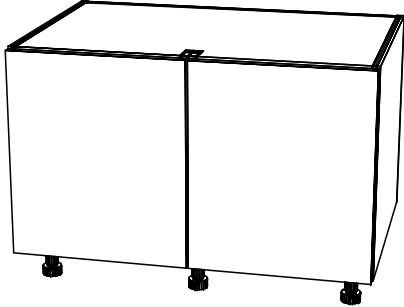
Top View	Front View	3-D	Available Models	door	drwr	shelf	L / R
 <p>SIDE-18</p> <p>Depth is cabinet box WITHOUT door. The door plus spacer adds 1 inch (1") to the overall depth.</p>	 <p>SIDE-18</p> <p>side burner not included with cabinet</p>		SIDE-15 SIDE-18* SIDE-21 SIDE-24	1 1 2 2	0 0 0 0	0 0 0 0	Y Y N N
			*shown in example				

Werver Products, Inc.
 3900 South 50th Street
 Tampa, FL 33619

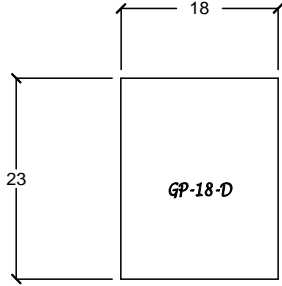
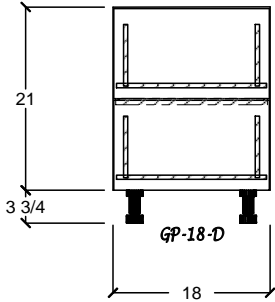
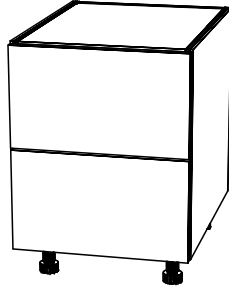
813.241.9701 - phone
 813.241.9705 - fax
 info@werver.com

Please contact us to use our **FREE DESIGN SERVICE**. We will provide a design with 3-D renderings and a no obligation quote.

Grill Pedestal Cabinet with Doors

Top View	Front View	3-D	Available Models	door	drwr	shelf	L / R
 <p>GP-36</p> <p>36</p> <p>23</p>	 <p>21</p> <p>3 3/4</p> <p>36</p> <p>GP-36</p>		GP-9 GP-12 GP-15 GP-18 GP-21 GP-24 GP-27 GP-30 GP-33 GP-36* GP-39 GP-42 GP-45 GP-48	2 2 2 2 2 2 2 2 2 2 4 4 4	0 0 0 0 0 0 0 0 0 0 0 0 0	0 0 0 0 0 0 0 0 0 0 0 0 0	N N N N N N N N N N N N N
<p>Depth is cabinet box WITHOUT door. The door plus spacer adds 1 inch (1") to the overall depth.</p>			<p>*shown in example</p>				

Grill Pedestal Cabinet with Drawers

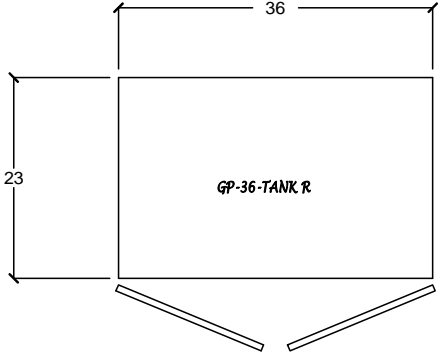
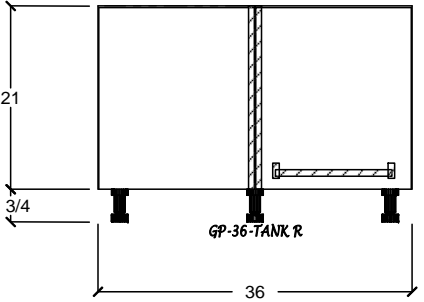
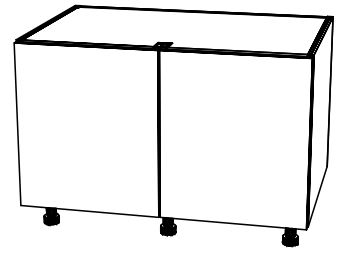
Top View	Front View	3-D	Available Models	door	drwr	shelf	L / R
 <p>GP-18-D</p> <p>18</p> <p>23</p>	 <p>21</p> <p>3 3/4</p> <p>18</p> <p>GP-18-D</p>		GP-9-D GP-12-D GP-15-D GP-18-D* GP-21-D	0 0 0 0 0	2 2 2 2 2	0 0 0 0 0	N N N N N
<p>Depth is cabinet box WITHOUT door. The door plus spacer adds 1 inch (1") to the overall depth.</p>			<p>*shown in example</p>				

Werever Products, Inc.
 3900 South 50th Street
 Tampa, FL 33619

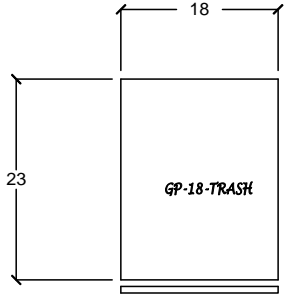
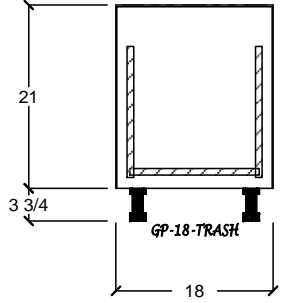
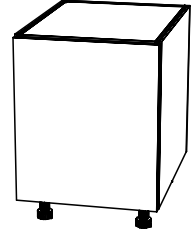
813.241.9701 - phone
 813.241.9705 - fax
 info@werever.com

Please contact us to use our **FREE DESIGN SERVICE**. We will provide a design with 3-D renderings and a no obligation quote.

Grill Pedestal Cabinet with LP Tank Tray

Top View	Front View	3-D	Available Models	door	drwr	shelf	L / R
 <p>GP-36-TANK R</p>	 <p>GP-36-TANK R</p>		GP-15-TANK GP-18-TANK GP-21-TANK (Tank on Right) GP-30-TANK R GP-33-TANK R GP-36-TANK R* GP-39-TANK R (Tank on Left) GP-30-TANK L GP-33-TANK L GP-36-TANK L GP-39-TANK L	1 1 1 2 2 2 2 2 2 2 2	0 0 0 0 0 0 0 0 0 0 0	0 0 0 0 0 0 0 0 0 0 0	N N N N N N N N N N N
<p>Depth is cabinet box WITHOUT door. The door plus spacer adds 1 inch (1") to the overall depth.</p>			<p>*shown in example</p>				

Grill Pedestal Cabinet with Pull-Out Trash

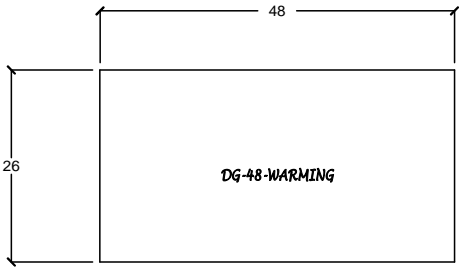
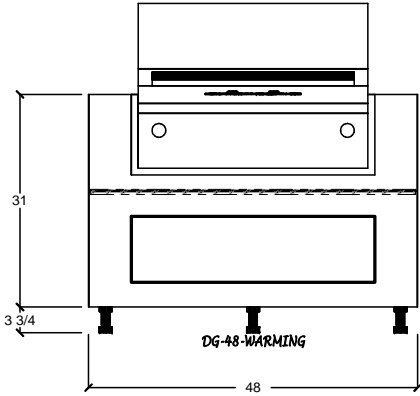
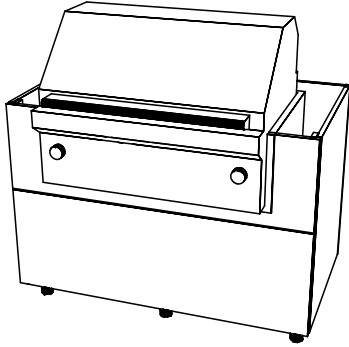
Top View	Front View	3-D	Available Models	door	drwr	shelf	L / R
 <p>GP-18-TRASH</p>	 <p>GP-18-TRASH</p>		GP-12-TRASH GP-15-TRASH GP-18-TRASH GP-21-TRASH	1 1 1 1	0 0 0 0	0 0 0 0	N N N N
<p>Depth is cabinet box WITHOUT door. The door plus spacer adds 1 inch (1") to the overall depth.</p>			<p>*shown in example</p>				

Werever Products, Inc.
 3900 South 50th Street
 Tampa, FL 33619

813.241.9701 - phone
 813.241.9705 - fax
 info@werever.com

Please contact us to use our **FREE DESIGN SERVICE**. We will provide a design with 3-D renderings and a no obligation quote.

Grill Cabinet with Warming Drawer

Top View	Front View	3-D	Available Models	door	drwr	shelf	L / R
 <p>48</p> <p>26</p> <p>DG-48-WARMING</p> <p>Depth is cabinet box WITHOUT door. The door plus spacer adds 1 inch (1") to the overall depth.</p>	 <p>31</p> <p>3 3/4</p> <p>48</p> <p>DG-48-WARMING</p> <p>grill and warming drawer not included</p>	 <p>Warming drawer is cut into cabinet below grill. Not all grills and warming drawers are compatible.</p>	DG-42-WARMING DG-45-WARMING DG-48-WARMING* DG-51-WARMING DG-54-WARMING DG-57-WARMING DG-60-WARMING DG-63-WARMING	0	0	0	N
			*shown in example	0	0	0	N
				0	0	0	N
				0	0	0	N
				0	0	0	N
				0	0	0	N
				0	0	0	N

IMPORTANT: All grill cabinets require a factory manufactured insulating liner.

Please contact us for help locating a grill with an insulating liner.

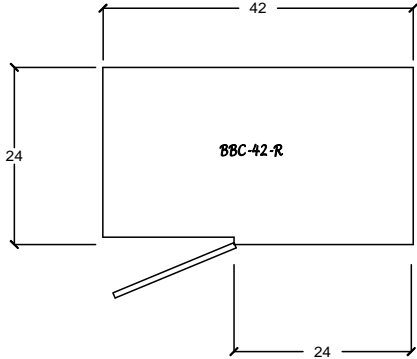
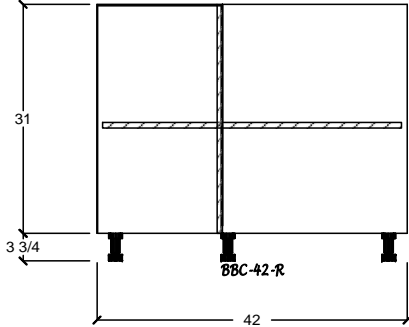
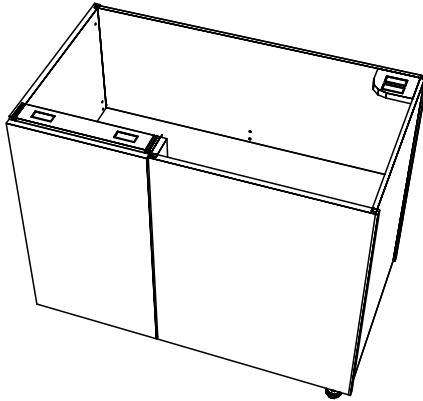
Werever carries several lines of outdoor appliances and can provide grills, side burners, outdoor rated refrigeration, ice makers, keg machines, and beverage centers with cabinetry.

Werever Products, Inc.
3900 South 50th Street
Tampa, FL 33619

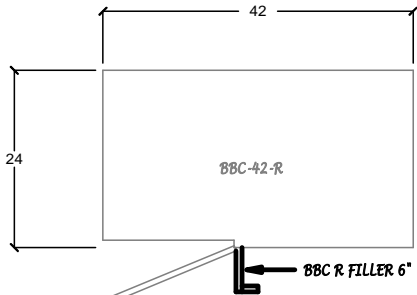
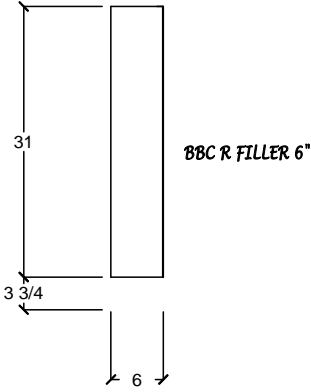
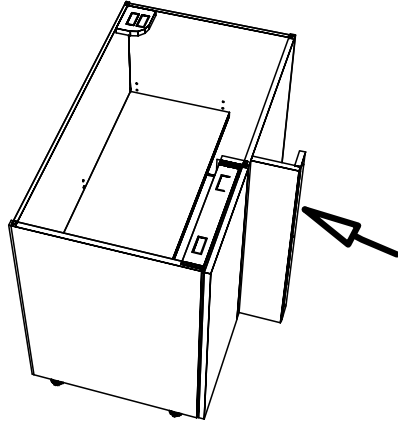
813.241.9701 - phone
813.241.9705 - fax
info@werever.com

Please contact us to use our FREE DESIGN SERVICE. We will provide a design with 3-D renderings and a no obligation quote.

Blind Base Corner Cabinets - Standard Depth

Top View	Front View	3-D	Available Models	door	drwr	shelf	L / R
 <p>Depth is cabinet box WITHOUT door. The door plus spacer adds 1 inch (1") to the overall depth.</p>			BBC-36-R BBC-42-R* BBC-36-L BBC-42-L	1 1 1 1	0 0 0 0	1 1 1 1	Y Y Y Y
			*shown in example				

Blind Base Corner Filler

Top View	Front View	3-D	Available Models	door	drwr	shelf	L / R
 <p>BBC Fillers attach to side of BBC cabinets to create room for door clearance to next cabinet.</p> <p>Depth is cabinet box WITHOUT door. The door plus spacer adds 1 inch (1") to the overall depth.</p>			BBC-Filler Fillers can be ordered from 1.5 to 6 inches. For larger sizes please call.	0	0	0	Y
			*shown in example				

Werever Products, Inc.
 3900 South 50th Street
 Tampa, FL 33619

813.241.9701 - phone
 813.241.9705 - fax
 info@werever.com

Please contact us to use our **FREE DESIGN SERVICE**. We will provide a design with 3-D renderings and a no obligation quote.

Blind Base Corner Cabinets - Grill Depth

Top View	Front View	3-D	Available Models	door	drwr	shelf	L / R
			BBC-36-R 27 BBC-42-R 27* BBC-36-L 27 BBC-42-L 27	1 1 1 1	0 0 0 0	1 1 1 1	Y Y Y Y
<p>Depth is cabinet box WITHOUT door. The door plus spacer adds 1 inch (1") to the overall depth.</p>			<p>*shown in example</p>				

Open Shelf Base Cabinets

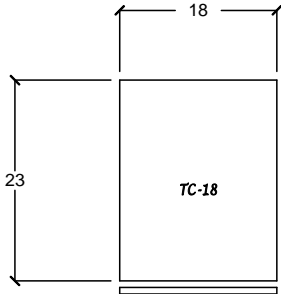
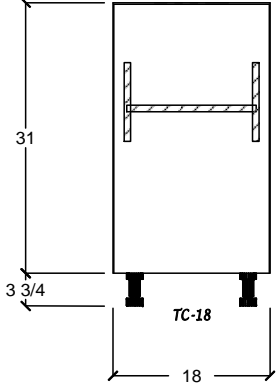
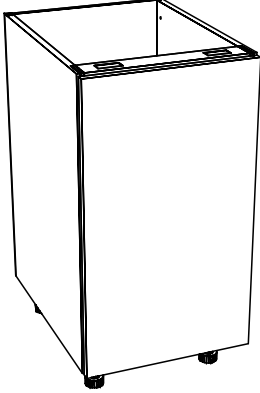
Top View	Front View	3-D	Available Models	door	drwr	shelf	L / R
			OB-9 OB-12 OB-15 OB-18* OB-21 OB-24 OB-27 OB-30	0 0 0 0 0 0 0 0	0 0 0 0 0 0 0 0	2 2 2 2 2 2 2 2	N N N N N N N N
<p>Depth is cabinet box WITHOUT door. The door plus spacer adds 1 inch (1") to the overall depth.</p>			<p>*shown in example</p>				

WerEVER Products, Inc.
 3900 South 50th Street
 Tampa, FL 33619

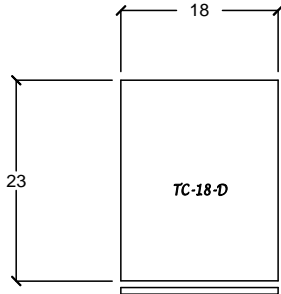
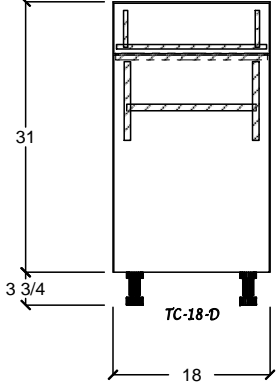
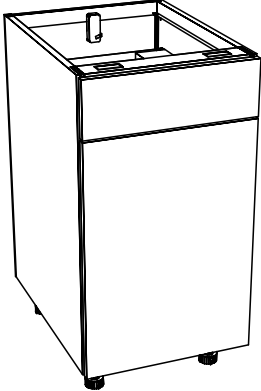
813.241.9701 - phone
 813.241.9705 - fax
 info@werEVER.com

Please contact us to use our **FREE DESIGN SERVICE**. We will provide a design with 3-D renderings and a no obligation quote.

Pull-Out Trash Cabinet

Top View	Front View	3-D	Available Models	door	drwr	shelf	L / R
 <p>TC-18</p> <p>Depth is cabinet box WITHOUT door. The door plus spacer adds 1 inch (1") to the overall depth.</p>	 <p>TC-18</p>		TC-15 TC-18*	1 1	0 0	0 0	N N
			*shown in example				

Pull-Out Trash Cabinet with Drawer

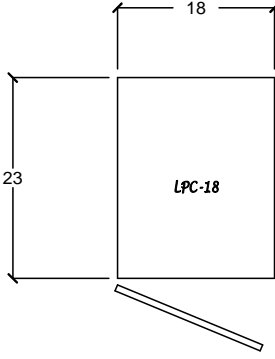
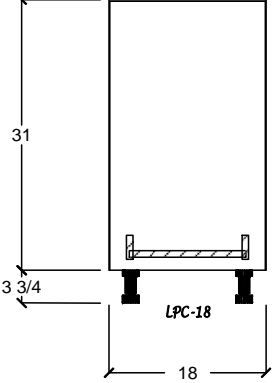
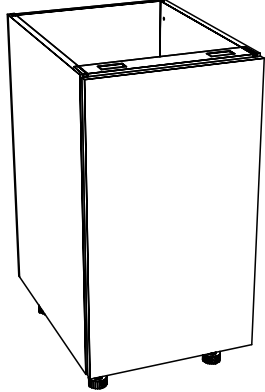
Top View	Front View	3-D	Available Models	door	drwr	shelf	L / R
 <p>TC-18-D</p> <p>Depth is cabinet box WITHOUT door. The door plus spacer adds 1 inch (1") to the overall depth.</p>	 <p>TC-18-D</p>		TC-15-D TC-18-D*	1 1	1 1	0 0	N N
			*shown in example				

Werver Products, Inc.
 3900 South 50th Street
 Tampa, FL 33619

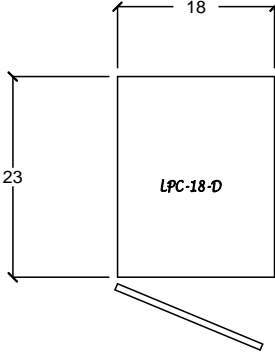
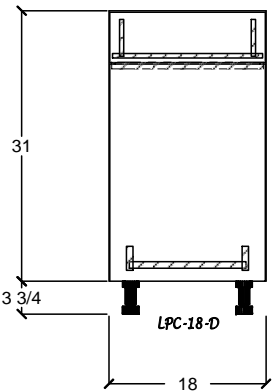
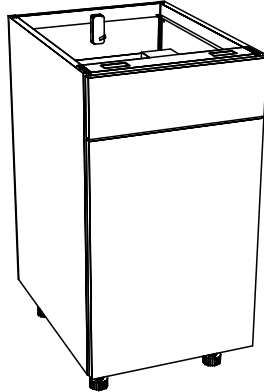
813.241.9701 - phone
 813.241.9705 - fax
 info@werver.com

Please contact us to use our **FREE DESIGN SERVICE**. We will provide a design with 3-D renderings and a no obligation quote.

Pull-Out LP Tank Cabinet

Top View	Front View	3-D	Available Models	door	drwr	shelf	L / R
 <p>Depth is cabinet box WITHOUT door. The door plus spacer adds 1 inch (1") to the overall depth.</p>			LPC-18*	1	0	0	N
			*shown in example				

Pull-Out LP Tank Cabinet with Drawer

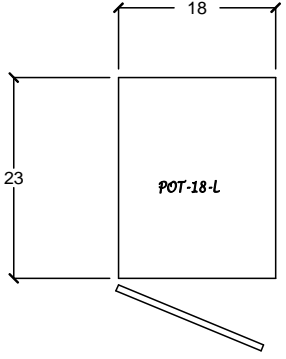
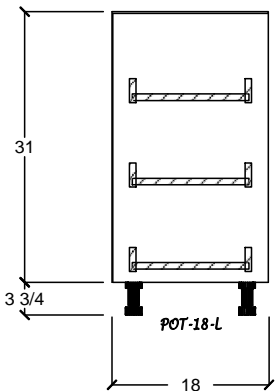
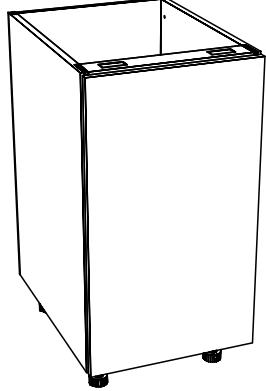
Top View	Front View	3-D	Available Models	door	drwr	shelf	L / R
 <p>Depth is cabinet box WITHOUT door. The door plus spacer adds 1 inch (1") to the overall depth.</p>			LPC-18-D*	1	1	0	N
			*shown in example				

Werever Products, Inc.
3900 South 50th Street
Tampa, FL 33619

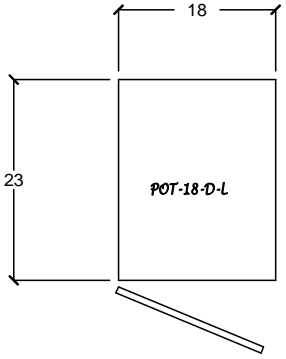
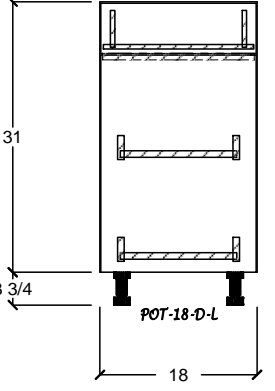
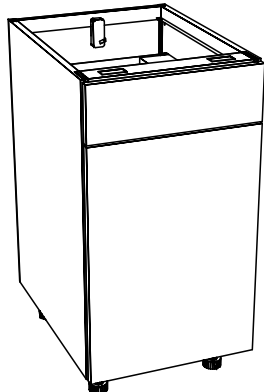
813.241.9701 - phone
813.241.9705 - fax
info@werever.com

Please contact us to use our **FREE DESIGN SERVICE**. We will provide a design with 3-D renderings and a no obligation quote.

Pull-Out Tray Full Height Door

Top View	Front View	3-D	Available Models	door	drwr	shelf	L / R
 <p>POT-18-L</p> <p>Depth is cabinet box WITHOUT door. The door plus spacer adds 1 inch (1") to the overall depth.</p>	 <p>POT-18-L</p>		POT-15 POT-18* POT-21 POT-24	1 1 2 2	0 0 0 0	0 0 0 0	Y Y N N
			*shown in example				

Pull-Out Tray with Drawer

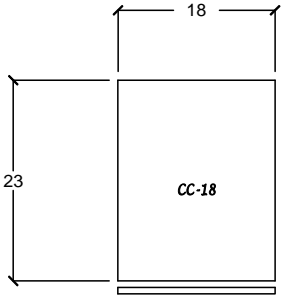
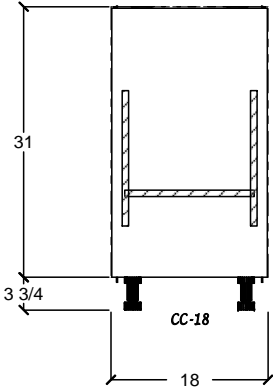
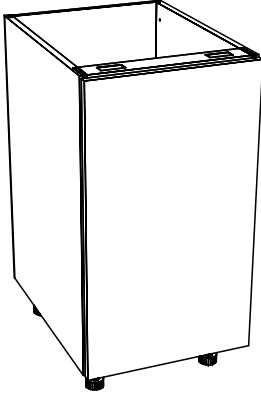
Top View	Front View	3-D	Available Models	door	drwr	shelf	L / R
 <p>POT-18-D-L</p> <p>Depth is cabinet box WITHOUT door. The door plus spacer adds 1 inch (1") to the overall depth.</p>	 <p>POT-18-D-L</p>		POT-15-D POT-18-D* POT-21-D POT-24-D	1 1 2 2	1 1 1 1	0 0 0 0	Y Y N N
			*shown in example				

Werever Products, Inc.
 3900 South 50th Street
 Tampa, FL 33619

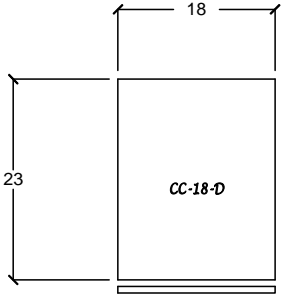
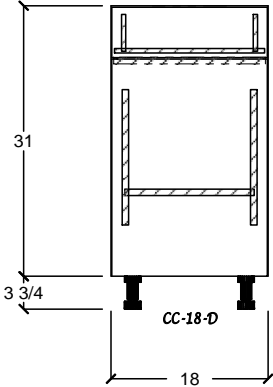
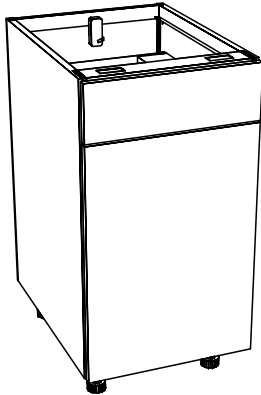
813.241.9701 - phone
 813.241.9705 - fax
 info@werever.com

Please contact us to use our **FREE DESIGN SERVICE**. We will provide a design with 3-D renderings and a no obligation quote.

Pull-Out Cooler Tray Cabinet

Top View	Front View	3-D	Available Models	door	drwr	shelf	L / R
 <p>Depth is cabinet box WITHOUT door. The door plus spacer adds 1 inch (1") to the overall depth.</p>	 <p>Cooler not included</p>		CC-15 CC-18	1 1	0 0	0 0	L R
			*shown in example				

Pull-Out Cooler Tray Cabinet with Drawer

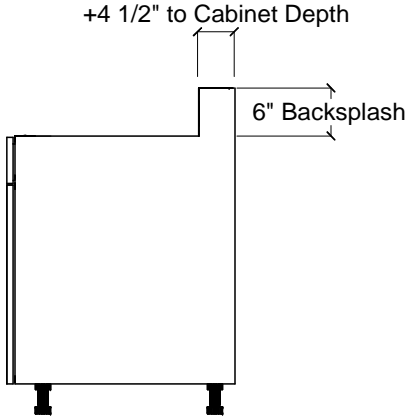
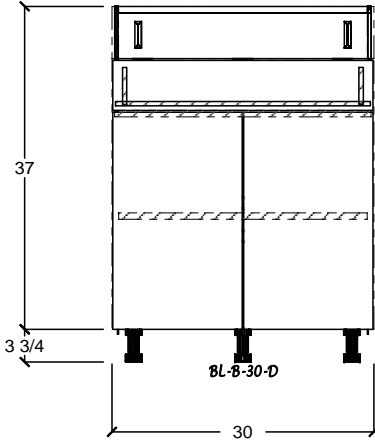
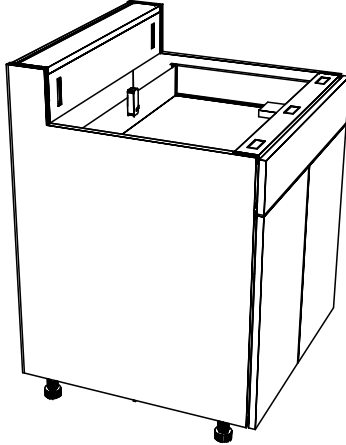
Top View	Front View	3-D	Available Models	door	drwr	shelf	L / R
 <p>Depth is cabinet box WITHOUT door. The door plus spacer adds 1 inch (1") to the overall depth.</p>	 <p>Cooler not included</p>		CC-15-D CC-18-D	1 1	1 1	0 0	L R
			*shown in example				

Werver Products, Inc.
 3900 South 50th Street
 Tampa, FL 33619

813.241.9701 - phone
 813.241.9705 - fax
 info@werver.com

Please contact us to use our **FREE DESIGN SERVICE**. We will provide a design with 3-D renderings and a no obligation quote.

Bi Level (or Bar Height) Cabinets

Top View	Front View	3-D	Bi Level Description
 <p>+4 1/2" to Cabinet Depth</p> <p>6" Backsplash</p>	 <p>37</p> <p>3 3/4</p> <p>30</p> <p>BL-B-30-D</p>		<p>Bi Level (or Bar Height) cabinets are a unique shape created by Werver. Standard base cabinets can be ordered in a Bi-Level version, which has an extended back with a raised backsplash. This allows you to create a bar section without having to build a retaining or knee wall. The Bi-Level cabinets are built as a single structural piece with no seams in the cabinet sides. This not only gives a finished look, but also provides strength through the sides and bar section.</p>

These base cabinets can be ordered in a Bi-Level (or Bar Height) version.

Bi-Level Full Height Door	Bi-Level Base with Drawer	Bi-Level Sink Full Height Door	Bi-Level Sink False Drawer Face
BL-B-9	BL-B-9-D	BL-SBFH-9	BL-SB-9
BL-B-12	BL-B-12-D	BL-SBFH-12	BL-SB-12
BL-B-15	BL-B-15-D	BL-SBFH-15	BL-SB-15
BL-B-18	BL-B-18-D	BL-SBFH-18	BL-SB-18
BL-B-21	BL-B-21-D	BL-SBFH-21	BL-SB-21
BL-B-24	BL-B-24-D	BL-SBFH-24	BL-SB-24
BL-B-27	BL-B-27-D	BL-SBFH-27	BL-SB-27
BL-B-30	BL-B-30-D	BL-SBFH-30	BL-SB-30
BL-B-33		BL-SBFH-33	BL-SB-33
BL-B-36		BL-SBFH-36	BL-SB-36
		BL-SBFH-39	BL-SB-39
		BL-SBFH-42	BL-SB-42
		BL-SBFH-45	BL-SB-45
		BL-SBFH-48	BL-SB-48
			BL-SB-51
			BL-SB-54
			BL-SB-57

Werver Products, Inc.
3900 South 50th Street
Tampa, FL 33619

813.241.9701 - phone
813.241.9705 - fax
info@werver.com

Please contact us to use our **FREE DESIGN SERVICE**. We will provide a design with 3-D renderings and a no obligation quote.

Bi-Level (or Bar Height) Cabinet List - continued

Bi-Level Sink Base Tilt-Out	Bi-Level Three Drawer Base	Bi-Level Four Drawer Base	Bi-Level Standard Grill Cabinets	
BL-SB-9-TILT OUT	BL-DB-9-3	BL-DB-24-4	BL-DG-27	BL-DG-48
BL-SB-12-TILT OUT	BL-DB-12-3	BL-DB-27-4	BL-DG-30	BL-DG-51
BL-SB-15-TILT OUT	BL-DB-15-3		BL-DG-33	BL-DG-54
BL-SB-18-TILT OUT	BL-DB-18-3		BL-DG-36	BL-DG-57
BL-SB-21-TILT OUT	BL-DB-21-3		BL-DG-39	BL-DG-60
BL-SB-24-TILT OUT			BL-DG-42	BL-DG-63
BL-SB-27-TILT OUT			BL-DG-45	
BL-SB-30-TILT OUT				

Bi-Level Side Burner Cabinets	Bi-Level Blind Base - Standard Depth	Bi-Level Blind Base Corner - Grill Depth	Bi-Level Pull Out Tray with Drawer
BL-SIDE-15	BL-BBC-36-R	BL-BBC-36-R 27	BL-POT-15-D
BL-SIDE-18	BL-BBC-42-R	BL-BBC-42-R 27	BL-POT-18-D
BL-SIDE-21	BL-BBC-36-L	BL-BBC-36-L 27	BL-POT-21-D
BL-SIDE-24	BL-BBC-42-L	BL-BBC-42-L 27	BL-POT-24-D

Bi-Level Pull Out Tray Full Height Door	Bi-Level Pull Out LP Tank Cabinet	Bi-Level Pull Out LP Tank with Drawer	Bi-Level Pull Out Trash Cabinet
BL-POT-15	BL-LPC-18	BL-LPC-18-D	BL-TC-15
BL-POT-18			BL-TC-18
BL-POT-21			
BL-POT-24			

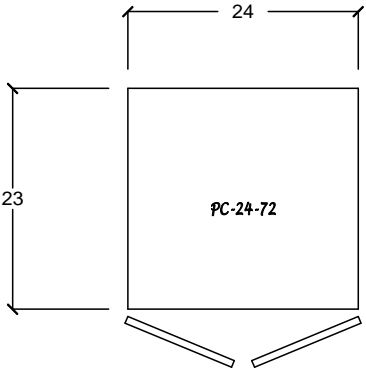
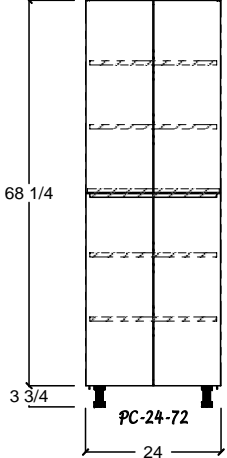
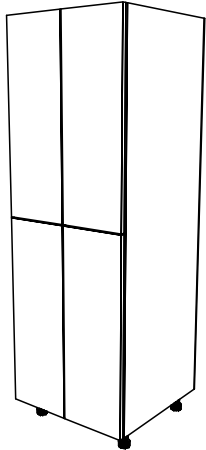
Bi-Level Pull Out Trash with Drawer	Bi-Level Pull Out Cooler Cabinet	Bi-Level Pull Out Cooler with Drawer	Bi-Level Open Base	
BL-TC-15-D	BL-CC-15	BL-CC-15-D	BL-OB-9	BL-OB-21
BL-TC-18-D	BL-CC-18	BL-CC-18-D	BL-OB-12	BL-OB-24
			BL-OB-15	BL-OB-27
			BL-OB-18	BL-OB-30

Werever Products, Inc.
3900 South 50th Street
Tampa, FL 33619

813.241.9701 - phone
813.241.9705 - fax
info@werever.com

Please contact us to use our FREE DESIGN SERVICE. We will provide a design with 3-D renderings and a no obligation quote.

Tall / Pantry Cabinets

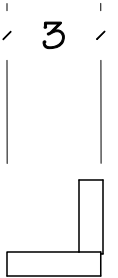
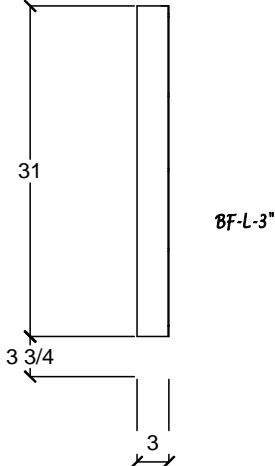
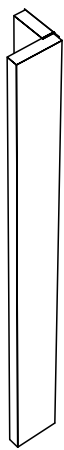
Top View	Front View	3-D	Available Models	door	drwr	shelf	L / R
			PC-18-60 PC-24-60 PC-18-72 PC-24-72* PC-18-84 PC-24-84	4 4 4 4 4 4	0 0 0 0 0 0	5 5 5 5 5 5	N N N N N N
<p>Depth is cabinet box WITHOUT door. The door plus spacer adds 1 inch (1") to the overall depth.</p>			<p>*shown in example</p>				

Werver Products, Inc.
 3900 South 50th Street
 Tampa, FL 33619

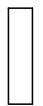
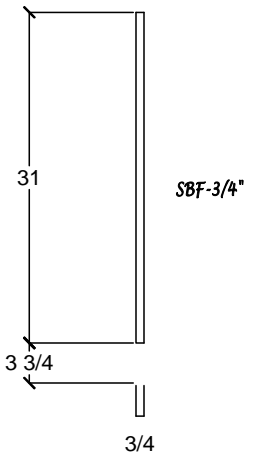
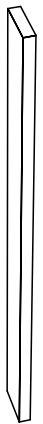
813.241.9701 - phone
 813.241.9705 - fax
 info@werver.com

Please contact us to use our **FREE DESIGN SERVICE**. We will provide a design with 3-D renderings and a no obligation quote.

Base Filler

Top View	Front View	3-D	Available Models	door	drwr	shelf	L / R
 <p>BF-L-3"</p> <p>Fillers with returns can be trimmed with a table saw. Tip: Order extra-long filler and trim in the field.</p>	 <p>BF-L-3"</p>		BF-1 through BF-9 Fillers can be ordered from 1" to 9" and in fractions of an inch (ex. 2.5") BF-3 shown in example	0	0	0	Y

Small Base Filler

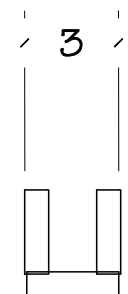

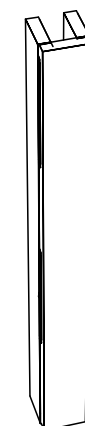
Top View	Front View	3-D	Available Models	door	drwr	shelf	L / R
 <p>SBF-3/4"</p> <p>Fillers less than 1 inch do not have a return.</p>	 <p>SBF-3/4"</p>		SBF-1/4 SBF-1/2 SBF-3/5 SBF-3/4 shown in example	0 0 0	0 0 0	0 0 0	N N N

Werever Products, Inc.
3900 South 50th Street
Tampa, FL 33619

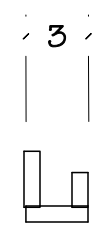
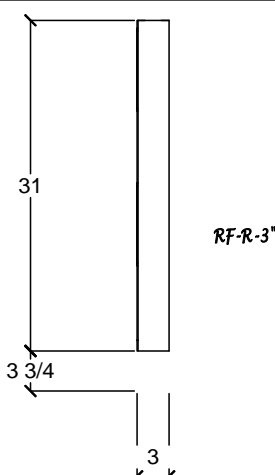
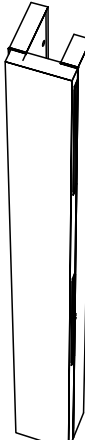
813.241.9701 - phone
813.241.9705 - fax
info@werever.com

Please contact us to use our **FREE DESIGN SERVICE**. We will provide a design with 3-D renderings and a no obligation quote.

Base Filler with Double Return

Top View	Front View	3-D	Available Models	door	drwr	shelf	L / R
 <p>BF-DR-3"</p> <p>The width of Base Fillers with Double Returns cannot be modified in the field.</p>	 <p>BF-DR-3"</p>		BFDR-3 through BFDR-9 Double return fillers can be ordered from 3" to 9" and in fractions of an inch (ex. 3.5")	0	0	0	N
			BFDR-3 shown in example				

Refrigerator Filler

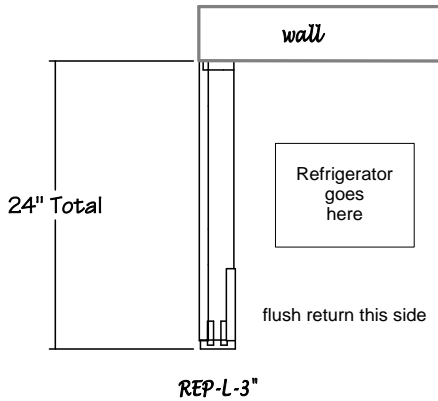
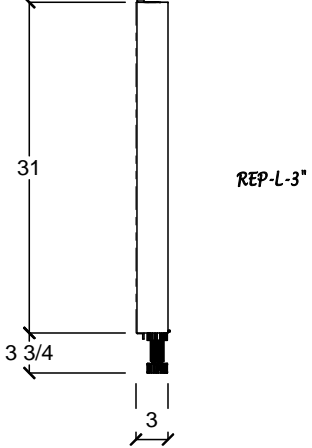
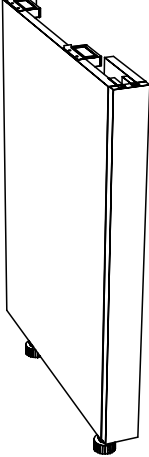
Top View	Front View	3-D	Available Models	door	drwr	shelf	L / R
 <p>Cabinet on this side.</p> <p>Refrigerator on this side.</p> <p>Long return is outset from filler face to create gap that allows door and drawer clearance.</p> <p>Short return is flush with filler face.</p> <p>RF-R-3"</p>	 <p>RF-R-3"</p>		RF-3 through RF-9 Refrigerator Fillers can be ordered from 3" to 9" and in fractions of an inch (ex. 3.5")	0	0	0	Y
Refrigerator Fillers help cover the visible gap when the refrigerator door is opened.			RF-3-R shown in example				

Werever Products, Inc.
3900 South 50th Street
Tampa, FL 33619

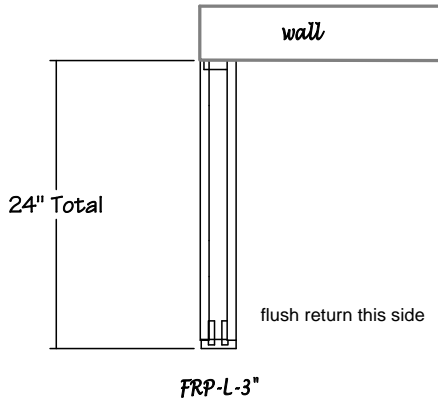
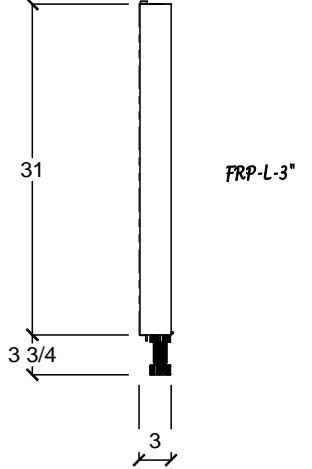
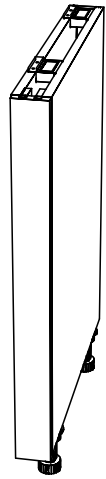
813.241.9701 - phone
813.241.9705 - fax
info@werever.com

Please contact us to use our **FREE DESIGN SERVICE**. We will provide a design with 3-D renderings and a no obligation quote.

Refrigerator End Panel

Top View	Front View	3-D	Available Models	door	drwr	shelf	L / R
 <p>24" Total</p> <p>31</p> <p>3 3/4</p> <p>3</p> <p>Refrigerator goes here</p> <p>flush return this side</p> <p>REP-L-3"</p> <p>REP supports the countertop when a refrigerator is the last item on the cabinet run.</p>	 <p>31</p> <p>3 3/4</p> <p>3</p> <p>REP-L-3"</p>		REP-3*	0	0	0	Y
			*shown in example				

Finished Return Panel

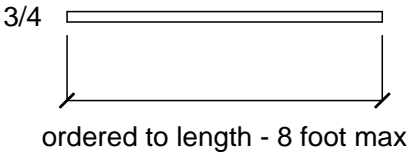
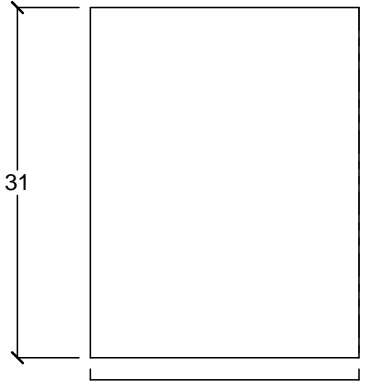
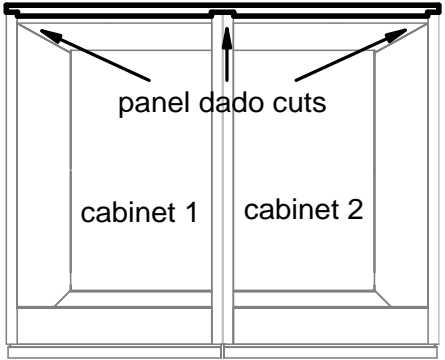
Top View	Front View	3-D	Available Models	door	drwr	shelf	L / R
 <p>24" Total</p> <p>31</p> <p>3 3/4</p> <p>3</p> <p>flush return this side</p> <p>FRP-L-3"</p> <p>Finished Return Panel is similar to REP (above) but with a full finished return.</p>	 <p>31</p> <p>3 3/4</p> <p>3</p> <p>FRP-L-3"</p>		FRP-3*	0	0	0	Y
			*shown in example				

Werever Products, Inc.
3900 South 50th Street
Tampa, FL 33619

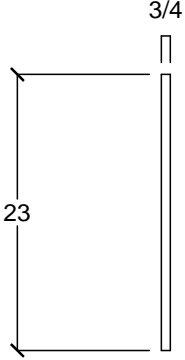
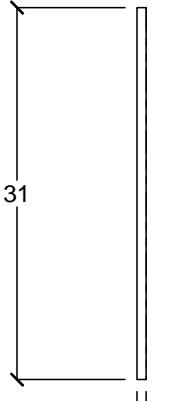
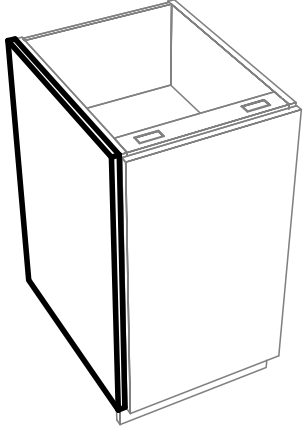
813.241.9701 - phone
813.241.9705 - fax
info@werever.com

Please contact us to use our **FREE DESIGN SERVICE**. We will provide a design with 3-D renderings and a no obligation quote.

Finished Back Panel

Top View	Front View	3-D - Top View	Available Models	door	drwr	shelf	L / R
 <p>3/4 ordered to length - 8 foot max</p> <p><i>Finished Back Panel</i></p>	 <p>31 ordered to length - 8 foot max</p> <p><i>Standard Finished End Panel</i></p>	<p>Finished back panels span multiple cabinets, covering seams. Panels can be ordered with dado grooves to perfectly fit your unique run of cabinets for an easy and precise installation. Call for details.</p> 	<p>Standard FBP* Bi-Level FBP</p>	<p>0 0</p>	<p>0 0</p>	<p>0 0</p>	<p>N N</p>
<p>Depth is cabinet box WITHOUT door. The door plus spacer adds 1 inch (1") to the overall depth.</p>			<p>All cabinets have a solid structural back rather than a thin veneer with hanging rails. Finished back panels obscure seams and can also be upgraded with a decorative design.</p>	<p>*shown in example</p>			

Finished End Panel

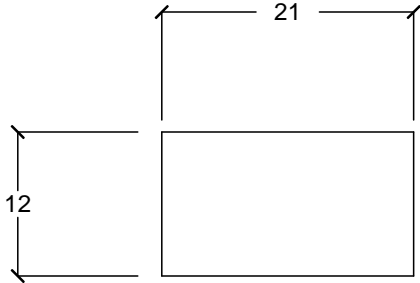
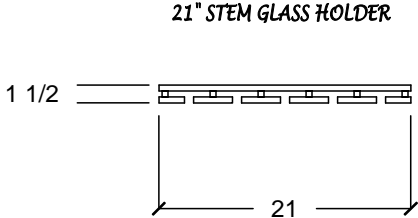
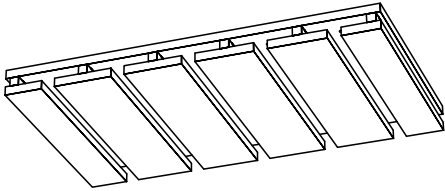
Top View	Front View	3-D	Available Models	door	drwr	shelf	L / R
 <p>3/4 23</p> <p><i>Standard Finished End Panel</i></p>	 <p>31 3/4</p> <p><i>Standard Finished End Panel</i></p>	 <p>Finished end panels can be decorated with an upgraded door style.</p>	<p>Standard FEP* Bi-Level FEP</p>	<p>0 0</p>	<p>0 0</p>	<p>0 0</p>	<p>Y Y</p>
<p>Finished End Panels exactly match the dimensions of the cabinet box's side.</p>			<p>All cabinets have solid, finished, presentable sides. FEP's are not required on the ends of cabinet runs. They give you the option of adding an upgraded door style. Panels can be ordered with modified dimensions.</p>	<p>*shown in example</p>			

Werever Products, Inc.
3900 South 50th Street
Tampa, FL 33619

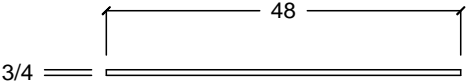
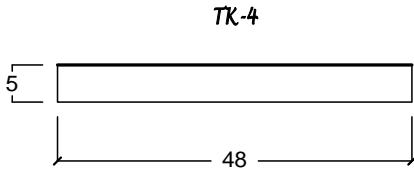
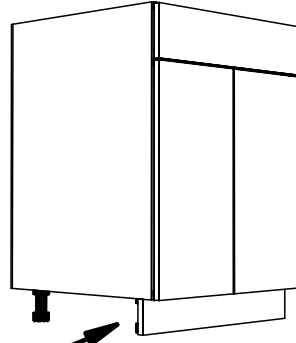
813.241.9701 - phone
813.241.9705 - fax
info@werever.com

Please contact us to use our **FREE DESIGN SERVICE**. We will provide a design with 3-D renderings and a no obligation quote.

Stemware Glass Holder

Top View	Front View	3-D	Available Models	door	drwr	shelf	L / R
 <p>21" STEM GLASS HOLDER</p>	 <p>21" STEM GLASS HOLDER</p>		13" Stem Glass Holder 17" Stem Glass Holder 21" Stem Glass Holder*	0 0 0	0 0 0	0 0 0	N N N
<p>Stemware Glass Holders mount under WALL cabinets.</p>			<p>*shown in example</p>				

Toe Kick Panels

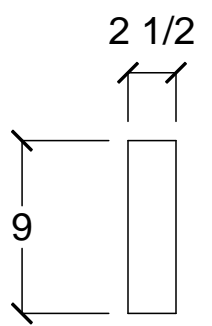
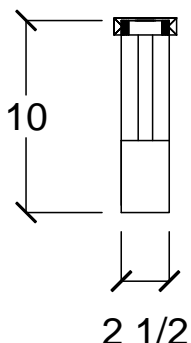
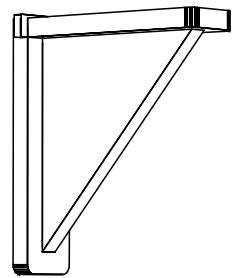
Top View	Front View	3-D	Available Models	door	drwr	shelf	L / R
 <p>TK-4</p>	 <p>TK-4</p>	 <p>installed toe kick</p>	TK-4* TK-8	0 0	0 0	0 0	N N
<p>Please call for toe kick panels greater than 5" tall.</p>			<p>Toe kick panels are available in 4 foot or 8 foot lengths.</p> <p>Toe kick's 5-inch height is intended to be trimmed in the field using a table saw to fit the height of the leveling legs of your particular installation.</p> <p>*shown in example</p>				
			<p>Toe Kick attaches to leveling legs with clips (included)</p>				

Werever Products, Inc.
 3900 South 50th Street
 Tampa, FL 33619

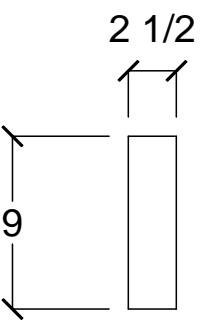
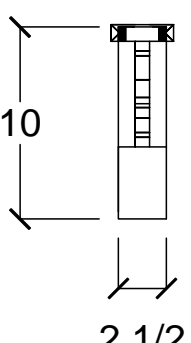
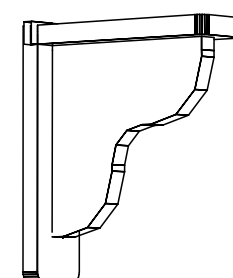
813.241.9701 - phone
 813.241.9705 - fax
 info@werever.com

Please contact us to use our **FREE DESIGN SERVICE**. We will provide a design with 3-D renderings and a no obligation quote.

Standard Corbel

Top View	Front View	3-D	Available Models	door	drwr	shelf	L/R
 <p style="text-align: center;">CORB-S</p>	 <p style="text-align: center;">CORB-S</p>		<p style="text-align: center;">CORB-S*</p> <p style="text-align: right; font-size: small;">*shown in example</p>	0	0	0	N

Deluxe Corbel

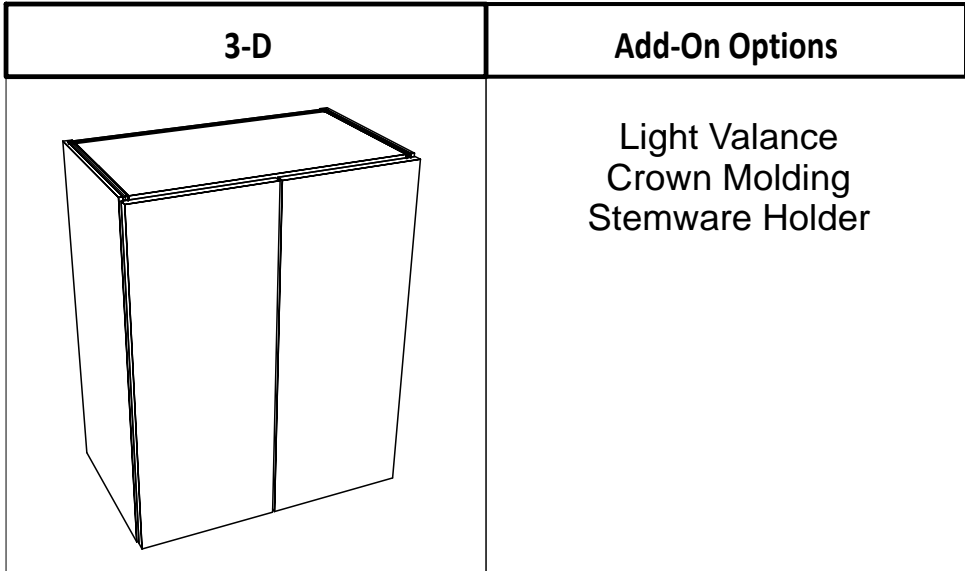
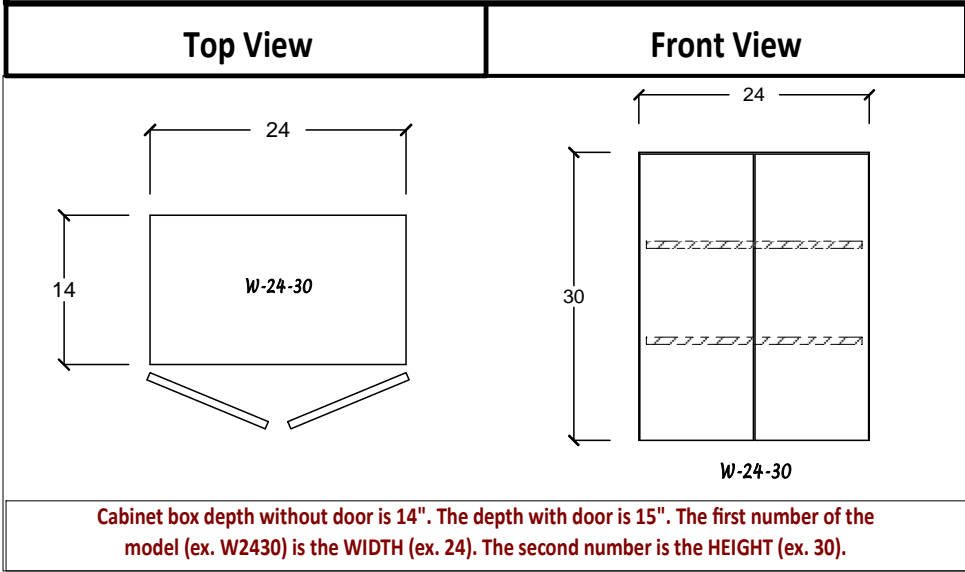
Top View	Front View	3-D	Available Models	door	drwr	shelf	L/R
 <p style="text-align: center;">CORB-D</p>	 <p style="text-align: center;">CORB-D</p>		<p style="text-align: center;">CORB-D*</p> <p style="text-align: right; font-size: small;">*shown in example</p>	0	0	0	N

Werever Products, Inc.
3900 South 50th Street
Tampa, FL 33619

813.241.9701 - phone
813.241.9705 - fax
info@werever.com

Please contact us to use our **FREE DESIGN SERVICE**. We will provide a design with 3-D renderings and a no obligation quote.

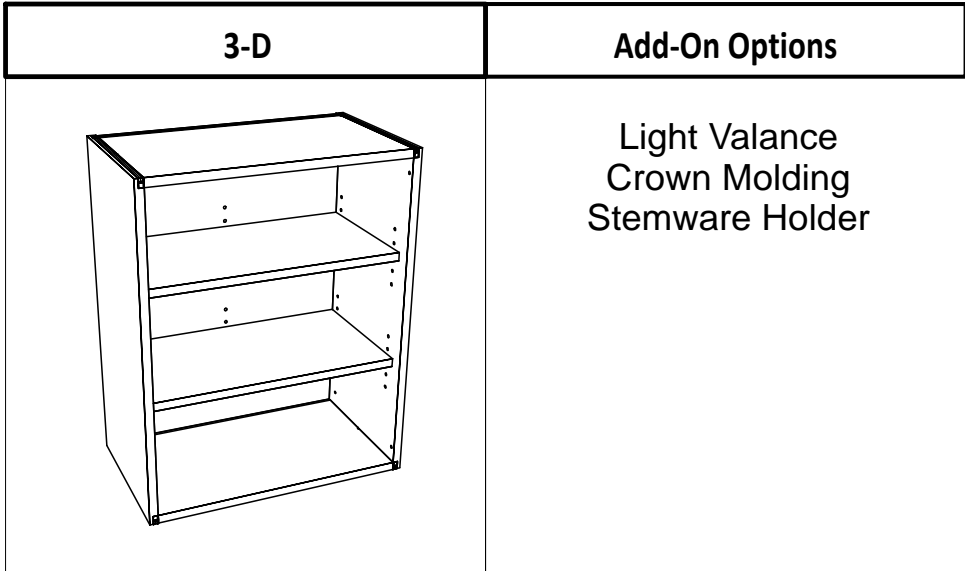
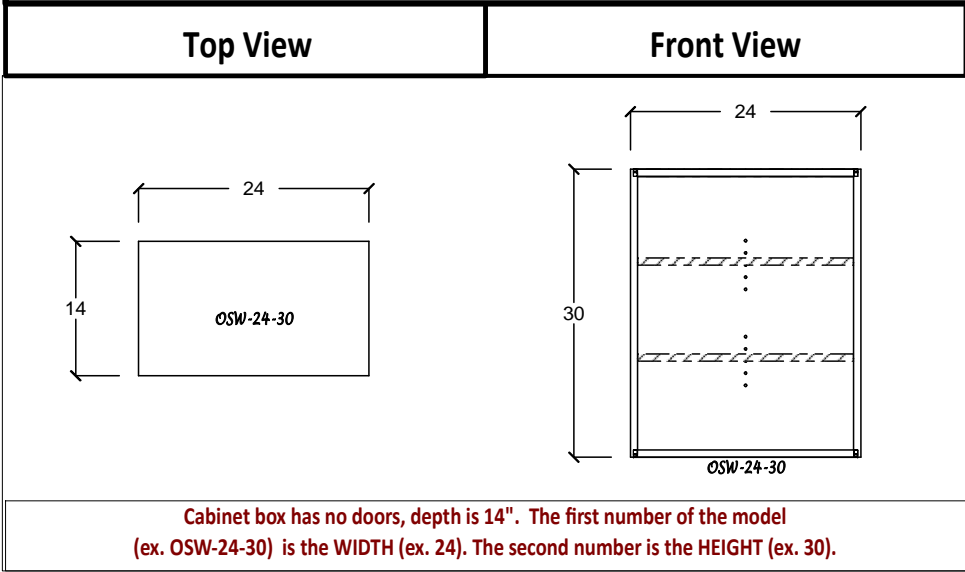
Wall Cabinets



Single Door		shelf	Double Door		shelf
12" Tall	W912	0	12" Tall	W2112	0
	W1212	0		W2412	0
	W1512	0		W2712	0
	W1812	0	15" Tall	W2115	0
15" Tall	W915	0		W2415	0
	W1215	0		W2715	0
	W1515	0	18" Tall	W2118	0
	W1815	0		W2418	0
W918	0	W2718		0	
18" Tall	W1218	0	21" Tall	W2121	1
	W1518	0		W2421	1
	W1818	0		W2721	1
	21" Tall	W921	1	24" Tall	W2124
W1221		1	W2424		1
W1521		1	W2724		1
W1821		1	30" Tall	W2130	2
24" Tall	W924	1		W2430	2
	W1224	1		W2730	2
	W1524	1		36" Tall	W2136
	W1824	1	W2436		2
30" Tall	W930	2	W2736		2
	W1230	2	42" Tall	W2142	3
	W1530	2		W2442	3
	W1830	2		W2742	3
36" Tall	W936	2	42" Tall	W942	3
	W1236	2		W1242	3
	W1536	2		W1542	3
	W1836	2		W1842	3

<p>Werever Products, Inc. 3900 South 50th Street Tampa, FL 33619</p>	<p>813.241.9701 - phone 813.241.9705 - fax info@werever.com</p>	<p>Please contact us to use our FREE DESIGN SERVICE. We will provide a design with 3-D renderings and a no obligation quote.</p>
--	---	---

Open Shelf Wall Cabinets

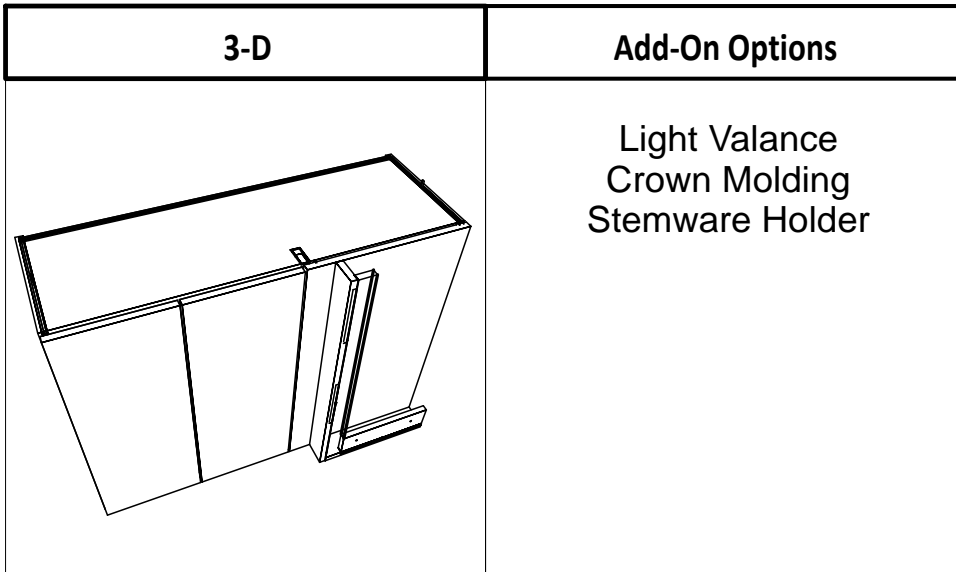
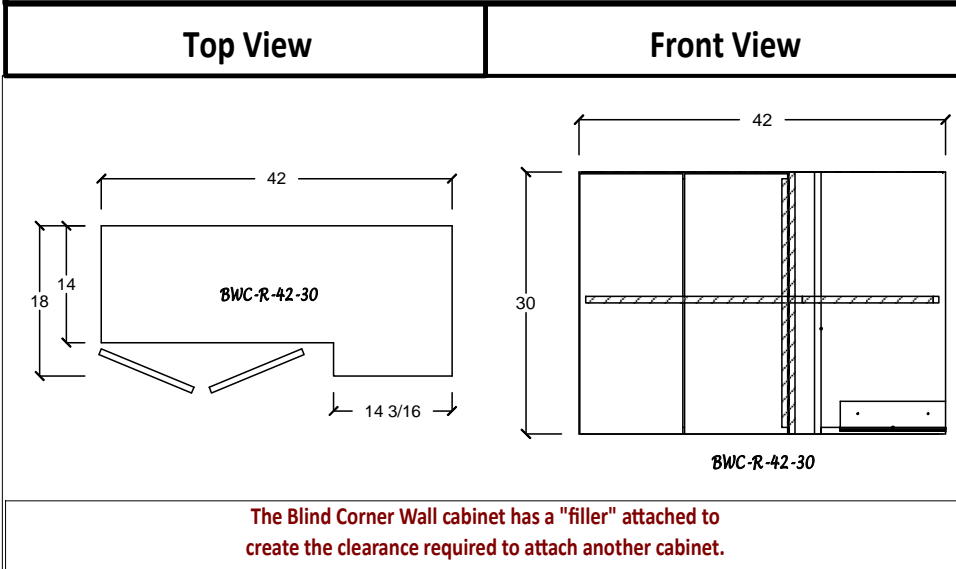


Models		shelf
30" Tall	OSW-9-30	2
	OSW-12-30	2
	OSW-15-30	2
	OSW-18-30	2
	OSW-21-30	2
	OSW-24-30*	2
	OSW-27-30	2
36" Tall	OSW-9-36	2
	OSW-12-36	2
	OSW-15-36	2
	OSW-18-36	2
	OSW-21-36	2
	OSW-24-36	2
	OSW-27-36	2
42" Tall	OSW-9-42	3
	OSW-12-42	3
	OSW-15-42	3
	OSW-18-42	3
	OSW-21-42	3
	OSW-24-42	3
	OSW-27-42	3
*model shown		

Werever Products, Inc. 813.241.9701 - phone
 3900 South 50th Street 813.241.9705 - fax
 Tampa, FL 33619 info@werever.com

Please contact us to use our FREE DESIGN SERVICE. We will provide a design with 3-D renderings and a no obligation quote.

Blind Corner Wall Cabinets



Single Door		shelf	Double Door		shelf
36" Wide	BWC-R-36-24	1	42" Wide	BWC-R-42-24	1
	BWC-R-36-30	1		BWC-R-42-30*	1
	BWC-R-36-36	1		BWC-R-42-36	1
	BWC-R-36-42	1		BWC-R-42-42	1
36" Wide	BWC-L-36-24	1	42" Wide	BWC-L-42-24	1
	BWC-L-36-30	1		BWC-L-42-30	1
	BWC-L-36-36	1		BWC-L-42-36	1
	BWC-L-36-42	1		BWC-L-42-42	1
*model shown			*model shown		

Werever Products, Inc.
 3900 South 50th Street
 Tampa, FL 33619
 813.241.9701 - phone
 813.241.9705 - fax
 info@werever.com

Please contact us to use our **FREE DESIGN SERVICE**. We will provide a design with 3-D renderings and a no obligation quote.