

# WEREVER OUTDOOR CABINETRY

## CABINET SPECIFICATIONS

For help designing your outdoor kitchen, please contact us to use our FREE DESIGN SERVICE. You can tell us your ideas in any format. We can work with blueprints, hand drawn notes, or anything in between. Call, email, or fax us and we will provide:

- ✓ A CAD-quality design
- ✓ An itemized quote
- ✓ Plan views (top view) of your outdoor kitchen
- ✓ Elevation views (front view)
- ✓ Realistic 3-D renderings.

Once you receive your free design, we will be happy to tweak or redesign your plan, still for free, with zero pressure or obligation.

Please visit our website at [www.werever.com](http://www.werever.com).

- ✓ See hundreds of real project pictures
- ✓ Request a **free product sample**.

You can shop with confidence knowing Werever has been in business since 2001 and has thousands of projects in every state in the USA, including Alaska and Hawaii! Our cabinets have been tested and proven in every climate.

***Contact us today and speak with one of our friendly team members. We look forward to serving you!***

---

**Werever Products Inc.**  
3900 S. 50th Street  
Tampa, FL 33619

**813.241.9701 – phone**  
**813-241.9705 – fax**  
**info@werever.com – email**

## OUTDOOR CABINET SPECIFICATION CONTENTS

---

### STANDARD BASE CABINETS

Cabinets with Full Height Door	Page 5
Cabinets with Drawer	

---

### SINK CABINETS

Sink Base Cabinets with False Drawer Face	Page 6
Sink Base Cabinets with Full Height Door	Page 7
Sink Base Cabinets with Tilt-Out Face	Page 8

---

### DRAWER BANK CABINETS

Drawer Base Cabinets with Three Drawers	Page 9
Drawer Base Cabinets with Four Drawers	

---

### GRILL & SIDE BURNER CABINETS

Grill Base Cabinets	Page 10
Side Burner Cabinets	
Grill Pedestal Cabinets with Doors	Page 11
Grill Pedestal Cabinets with Drawers	
Grill Pedestal Cabinets with LP Tank Tray	Page 12
Grill Pedestal Cabinets with Pull-Out Trash	

Grill Cabinet with Warming Drawer

Page 13

---

## **BLIND-BASE CORNER CABINETS**

Blind-Base Corner Cabinets – Standard Depth

Page 14

Blind-Base Corner Filler

Blind-Base Corner Cabinets – Grill Depth

Page 15

---

## **OPEN SHELF BASE CABINETS**

Open Shelf Base Cabinets

Page 15

---

## **TRASH CABINETS**

Pull-Out Trash Cabinets

Page 16

Pull-Out Trash Cabinets with Drawer

---

## **PULL-OUT CABINETS**

Pull-Out LP Tank Cabinets

Page 17

Pull-Out LP Tank Cabinets with Drawer

Pull-Out Tray Cabinets with Full Height Door

Page 18

Pull-Out Tray Cabinets with Drawer

Pull-Out Cooler Tray Cabinet

Page 19

Pull-Out Cooler Tray Cabinet with Drawer

---

## **BI-LEVEL OR BAR HEIGHT CABINETS**

Bi-Level Cabinets

Page 20

---

## TALL / PANTRY CABINETS

Tall / Pantry Cabinets

Page 22

---

## BASE FILLERS, PANELS, & TRIM PIECES

Base Fillers

Page 23

Small Base Fillers

Base Filler with Double Return

Page 24

Refrigerator Filler

Refrigerator End Panel

Page 25

Finished Return Panel

Finished Back Panel

Page 26

Finished End Panel

Stemware Glass Holder

Page 27

Toe Kick Panels

Corbels

Page 28

---

## WALL CABINETS

Standard Wall Cabinets

Page 29

Open Shelf Wall Cabinets

Page 30

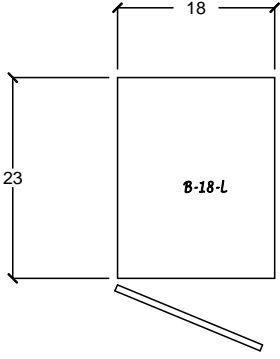
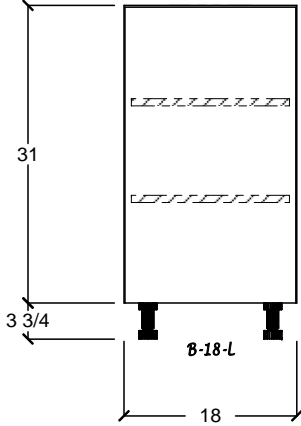
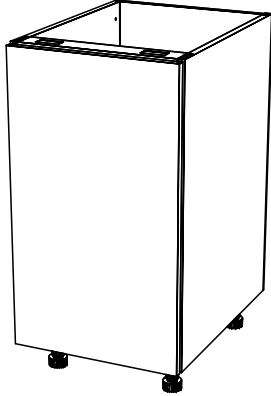
Blind Corner Wall Cabinets

Page 31

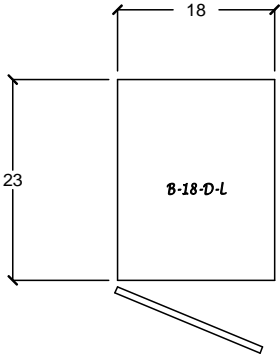
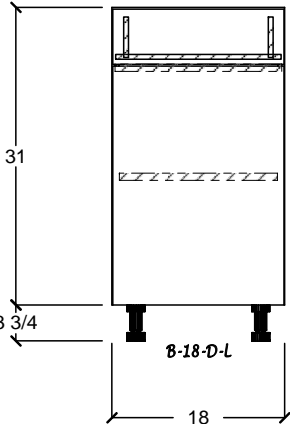
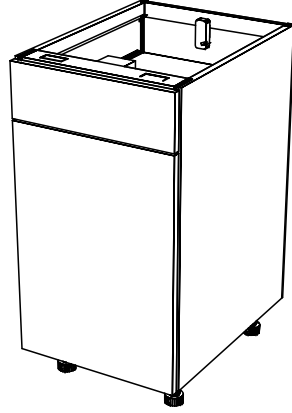
---

## Appendix: Werever Architect CSI Specifications

## Base Cabinet with Full Height Door(s)

Top View	Front View	3-D	Available Models	door	drwr	shelf	L / R
 <p>Depth is cabinet box WITHOUT door. The door plus spacer adds 1 inch (1") to the overall depth.</p>			B-9 B-12 B-15 B-18* B-21 B-24 B-27 B-30 B-33 B-36	1 1 1 1 2 2 2 2 2 2	0 0 0 0 0 0 0 0 0 0	2 2 2 2 2 2 2 2 2 2	Y Y Y Y N N N N N N
			*shown in example				

## Base Cabinet with One Drawer

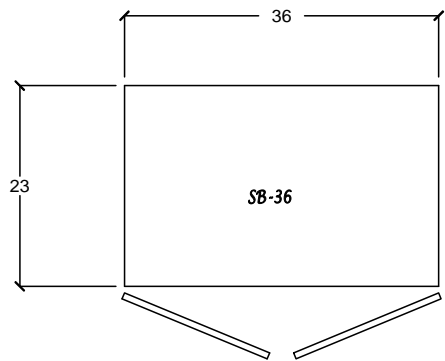
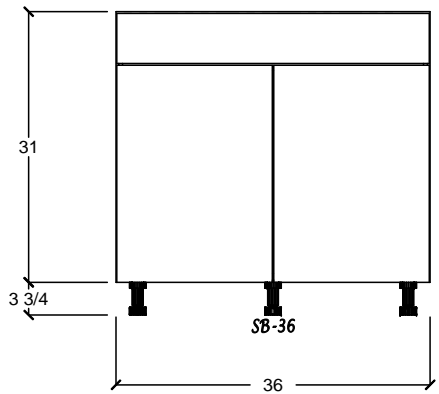

Top View	Front View	3-D	Available Models	door	drwr	shelf	L / R
 <p>Depth is cabinet box WITHOUT door. The door plus spacer adds 1 inch (1") to the overall depth.</p>			B-9-D B-12-D B-15-D B-18-D* B-21-D B-24-D B-27-D B-30-D	1 1 1 1 2 2 2 2	1 1 1 1 1 1 1 1	1 1 1 1 1 1 1 1	Y Y Y Y N N N N
			*shown in example				

Werever Outdoor Cabinetry  
 3900 South 50th Street  
 Tampa, FL 33619

813.241.9701 - phone  
 813.241.9705 - fax  
 info@werever.com

Please contact us to use our **FREE DESIGN SERVICE**. We will provide a design with 3-D renderings and a no obligation quote.

## Sink Base with False Drawer Face

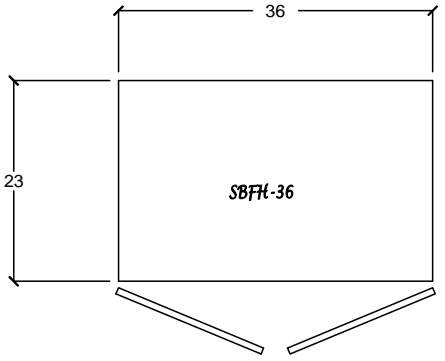
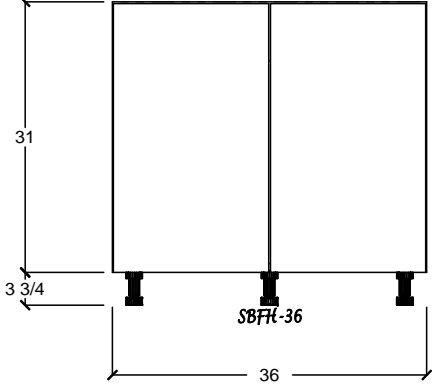

Top View	Front View	3-D	Available Models	door	drwr	shelf	L / R			
 <p>SB-36</p>	 <p>SB-36</p>		SB-9	1	0	0	Y			
			SB-12	1	0	0	Y			
<p>Depth is cabinet box WITHOUT door. The door plus spacer adds 1 inch (1") to the overall depth.</p>			SB-15	1	0	0	Y			
			SB-18	1	0	0	Y			
			SB-21	2	0	0	N			
			SB-24	2	0	0	N			
			SB-27	2	0	0	N			
			SB-30	2	0	0	N			
			SB-33	2	0	0	N			
			SB-36*	2	0	0	N			
			SB-39	2	0	0	N			
			SB-42	4	0	0	N			
			SB-45	4	0	0	N			
			SB-48	4	0	0	N			
			SB-51	4	0	0	N			
			SB-54	4	0	0	N			
			SB-57	4	0	0	N			
						*shown in example				

Werever Outdoor Cabinetry  
 3900 South 50th Street  
 Tampa, FL 33619

813.241.9701 - phone  
 813.241.9705 - fax  
 info@werever.com

Please contact us to use our **FREE DESIGN SERVICE**. We will provide a design with 3-D renderings and a no obligation quote.

## Sink Base with Full Height Door

Top View	Front View	3-D	Available Models	door	drwr	shelf	L / R
			SBFH-9	1	0	0	Y
			SBFH-12	1	0	0	Y
<p>Depth is cabinet box WITHOUT door. The door plus spacer adds 1 inch (1") to the overall depth.</p>			SBFH-15	1	0	0	Y
			SBFH-18	1	0	0	Y
			SBFH-21	2	0	0	N
			SBFH-24	2	0	0	N
			SBFH-27	2	0	0	N
			SBFH-30	2	0	0	N
			SBFH-33	2	0	0	N
			SBFH-36*	2	0	0	N
			SBFH-39	2	0	0	N
			SBFH-42	4	0	0	N
			SBFH-45	4	0	0	N
			SBFH-48	4	0	0	N
			SBFH-51	4	0	0	N
			SBFH-54	4	0	0	N
			SBFH-57	4	0	0	N

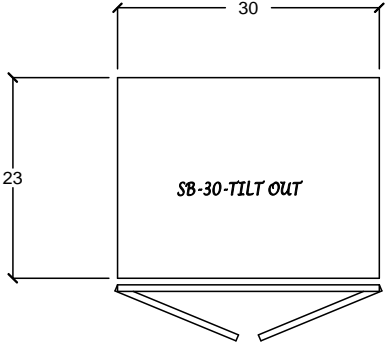
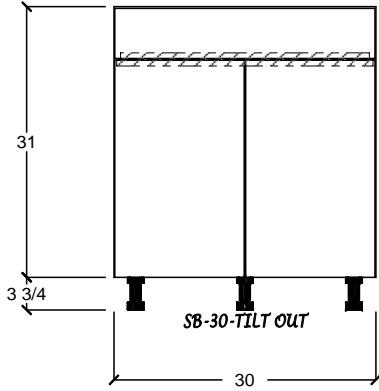

\*shown in example

Werever Outdoor Cabinetry  
3900 South 50th Street  
Tampa, FL 33619

813.241.9701 - phone  
813.241.9705 - fax  
info@werever.com

Please contact us to use our **FREE DESIGN SERVICE**. We will provide a design with 3-D renderings and a no obligation quote.

## Sink Base with Tilt-Out Face

Top View	Front View	3-D	Available Models	door	drwr	shelf	L / R
			SB-9-TILT OUT SB-12-TILT OUT SB-15-TILT OUT SB-18-TILT OUT SB-21-TILT OUT SB-24-TILT OUT SB-27-TILT OUT SB-30-TILT OUT*	1 1 1 1 2 2 2 2	0 0 0 0 0 0 0 0	0 0 0 0 0 0 0 0	Y Y Y Y N N N N
<p>Depth is cabinet box WITHOUT door. The door plus spacer adds 1 inch (1") to the overall depth.</p>			<p>*shown in example</p>				

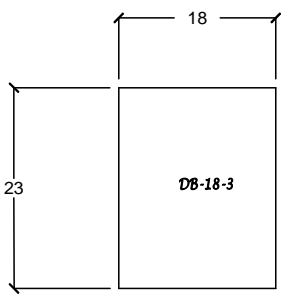
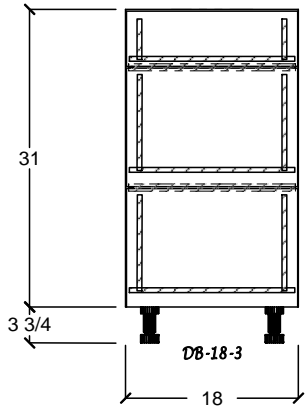
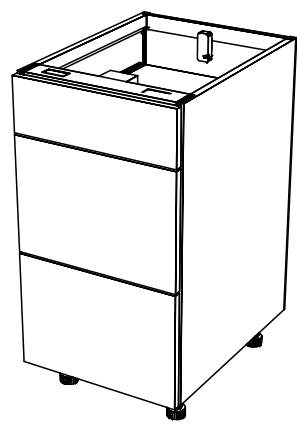
Werever Outdoor Cabinetry  
 3900 South 50th Street  
 Tampa, FL 33619

813.241.9701 - phone  
 813.241.9705 - fax  
 info@werever.com

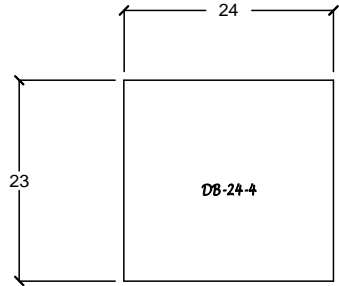
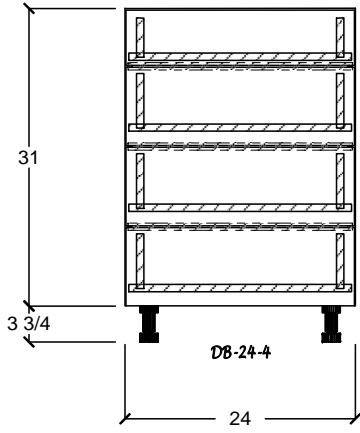

Please contact us to use our **FREE DESIGN SERVICE**. We will provide a design with 3-D renderings and a no obligation quote.



## Drawer Base Cabinet with Three Drawers

Top View	Front View	3-D	Available Models	door	drwr	shelf	L / R
 <p>DB-18-3</p>	 <p>DB-18-3</p>		DB-9-3 DB-12-3 DB-15-3 DB-18-3* DB-21-3	0 0 0 0 0	3 3 3 3 3	0 0 0 0 0	N N N N N
<p>Depth is cabinet box WITHOUT door. The door plus spacer adds 1 inch (1") to the overall depth.</p>			<p>*shown in example</p>				

## Drawer Base Cabinet with Four Drawers

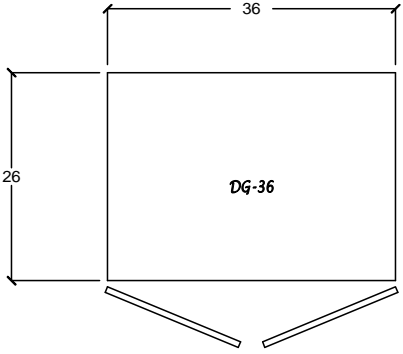
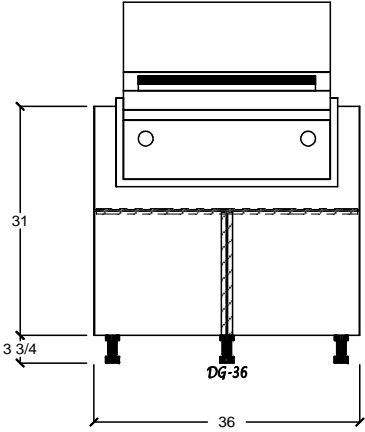
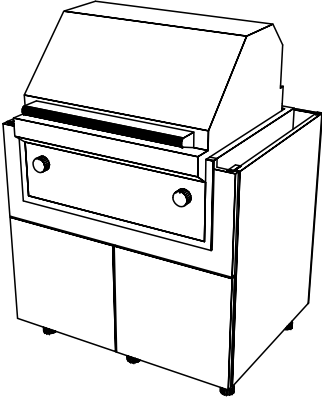
Top View	Front View	3-D	Available Models	door	drwr	shelf	L / R
 <p>DB-24-4</p>	 <p>DB-24-4</p>		DB-24-4* DB-27-4	0 0	4 4	0 0	N N
<p>Depth is cabinet box WITHOUT door. The door plus spacer adds 1 inch (1") to the overall depth.</p>			<p>*shown in example</p>				

Werever Outdoor Cabinetry  
 3900 South 50th Street  
 Tampa, FL 33619

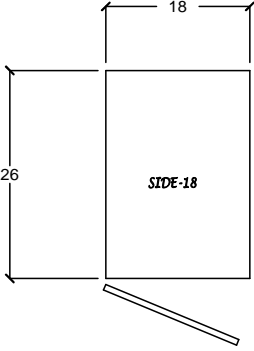
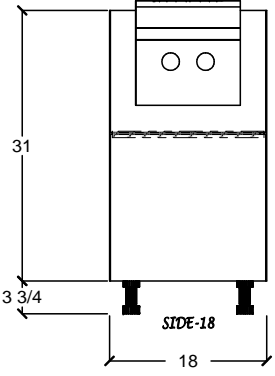
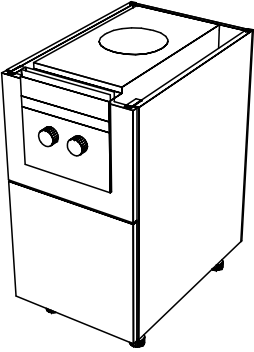
813.241.9701 - phone  
 813.241.9705 - fax  
 info@werever.com

Please contact us to use our **FREE DESIGN SERVICE**. We will provide a design with 3-D renderings and a no obligation quote.

## Grill Base Cabinet

Top View	Front View	3-D	Available Models	door	drwr	shelf	L / R
 <p>DG-36</p> <p>Depth is cabinet box WITHOUT door. The door plus spacer adds 1 inch (1") to the overall depth.</p>	 <p>DG-36</p> <p>grill not included with cabinet</p>		DG-27 DG-30 DG-33 DG-36* DG-39 DG-42 DG-45 DG-48 DG-51 DG-54 DG-57 DG-60 DG-63	2 2 2 2 2 4 4 4 4 4 4 4	0 0 0 0 0 0 0 0 0 0 0 0	0 0 0 0 0 0 0 0 0 0 0 0	N N N N N N N N N N N N
			*shown in example				

## Side Burner Cabinet

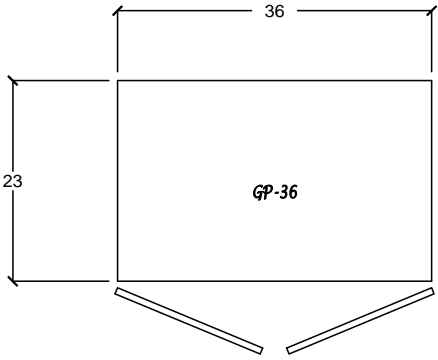
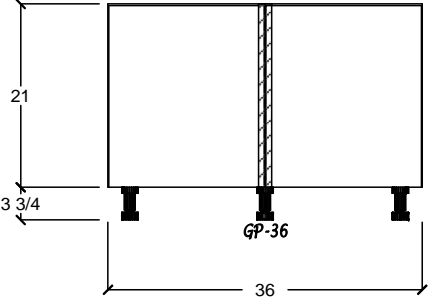
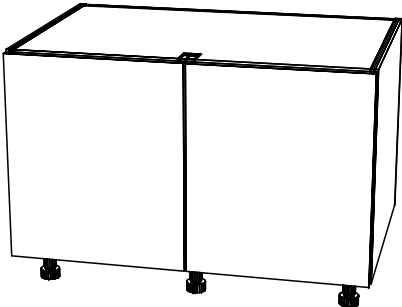
Top View	Front View	3-D	Available Models	door	drwr	shelf	L / R
 <p>SIDE-18</p> <p>Depth is cabinet box WITHOUT door. The door plus spacer adds 1 inch (1") to the overall depth.</p>	 <p>SIDE-18</p> <p>side burner not included with cabinet</p>		SIDE-15 SIDE-18* SIDE-21 SIDE-24	1 1 2 2	0 0 0 0	0 0 0 0	Y Y N N
			*shown in example				

Werever Outdoor Cabinetry  
 3900 South 50th Street  
 Tampa, FL 33619

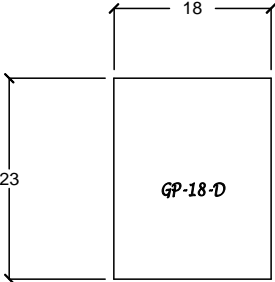
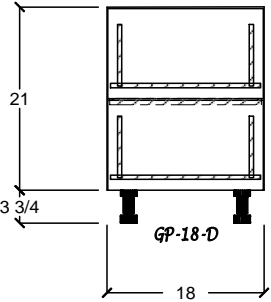
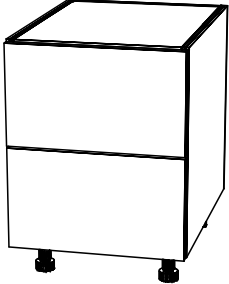
813.241.9701 - phone  
 813.241.9705 - fax  
 info@werever.com

Please contact us to use our **FREE DESIGN SERVICE**. We will provide a design with 3-D renderings and a no obligation quote.

## Grill Pedestal Cabinet with Doors

Top View	Front View	3-D	Available Models	door	drwr	shelf	L / R
 <p>GP-36</p>	 <p>GP-36</p>		GP-9 GP-12 GP-15 GP-18 GP-21 GP-24 GP-27 GP-30 GP-33 GP-36* GP-39 GP-42 GP-45 GP-48	2 2 2 2 2 2 2 2 2 2 4 4 4	0 0 0 0 0 0 0 0 0 0 0 0 0	0 0 0 0 0 0 0 0 0 0 0 0 0	N N N N N N N N N N N N N
<p>Depth is cabinet box WITHOUT door. The door plus spacer adds 1 inch (1") to the overall depth.</p>			<p>*shown in example</p>				

## Grill Pedestal Cabinet with Drawers

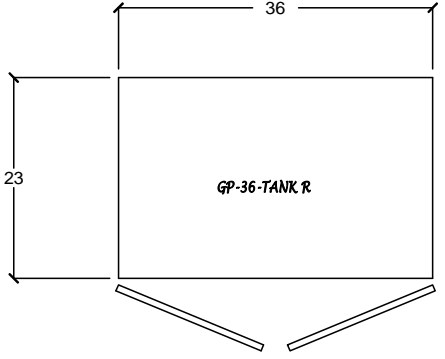
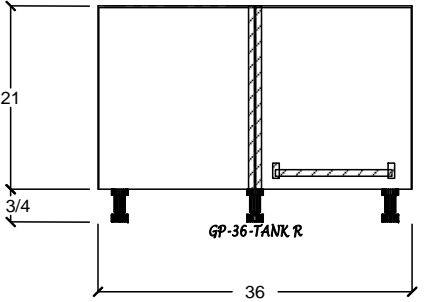
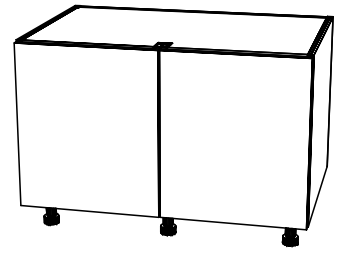
Top View	Front View	3-D	Available Models	door	drwr	shelf	L / R
 <p>GP-18-D</p>	 <p>GP-18-D</p>		GP-9-D GP-12-D GP-15-D GP-18-D* GP-21-D	0 0 0 0 0	2 2 2 2 2	0 0 0 0 0	N N N N N
<p>Depth is cabinet box WITHOUT door. The door plus spacer adds 1 inch (1") to the overall depth.</p>			<p>*shown in example</p>				

Werever Outdoor Cabinetry  
 3900 South 50th Street  
 Tampa, FL 33619

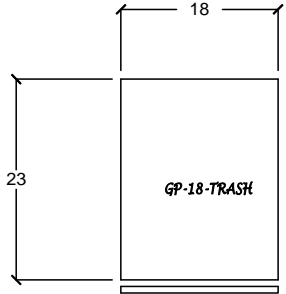
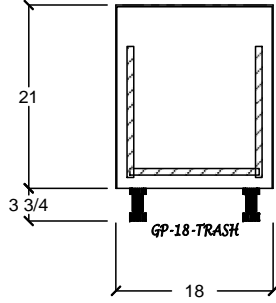
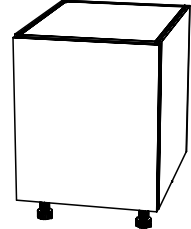
813.241.9701 - phone  
 813.241.9705 - fax  
 info@werever.com

Please contact us to use our **FREE DESIGN SERVICE**. We will provide a design with 3-D renderings and a no obligation quote.

## Grill Pedestal Cabinet with LP Tank Tray

Top View	Front View	3-D	Available Models	door	drwr	shelf	L / R
 <p>GP-36-TANK R</p>	 <p>GP-36-TANK R</p>		GP-15-TANK GP-18-TANK GP-21-TANK  (Tank on Right) GP-30-TANK R GP-33-TANK R GP-36-TANK R* GP-39-TANK R  (Tank on Left) GP-30-TANK L GP-33-TANK L GP-36-TANK L GP-39-TANK L	1 1 1  2 2 2 2  2 2 2 2	0 0 0  0 0 0 0  0 0 0 0	0 0 0  0 0 0 0  0 0 0 0	N N N  N N N N  N N N N
<p>Depth is cabinet box WITHOUT door. The door plus spacer adds 1 inch (1") to the overall depth.</p>			<p>*shown in example</p>				

## Grill Pedestal Cabinet with Pull-Out Trash

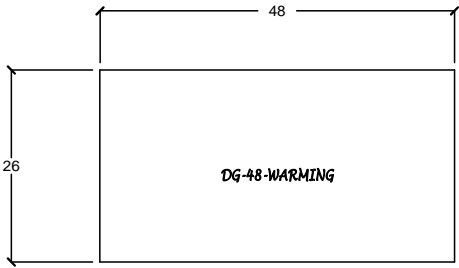
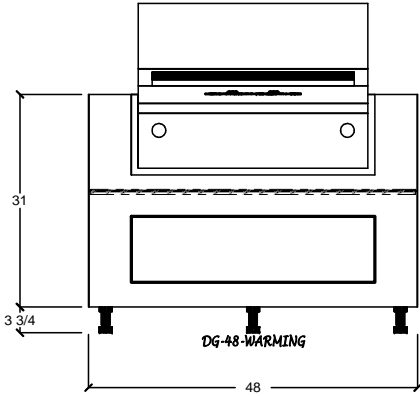
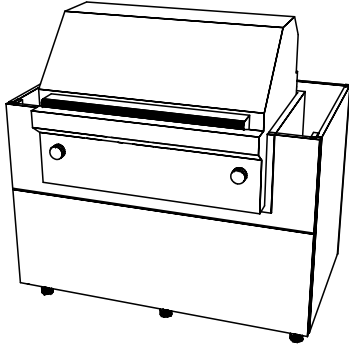
Top View	Front View	3-D	Available Models	door	drwr	shelf	L / R
 <p>GP-18-TRASH</p>	 <p>GP-18-TRASH</p>		GP-12-TRASH GP-15-TRASH GP-18-TRASH GP-21-TRASH	1 1 1 1	0 0 0 0	0 0 0 0	N N N N
<p>Depth is cabinet box WITHOUT door. The door plus spacer adds 1 inch (1") to the overall depth.</p>			<p>*shown in example</p>				

Werever Outdoor Cabinetry  
 3900 South 50th Street  
 Tampa, FL 33619

813.241.9701 - phone  
 813.241.9705 - fax  
 info@werever.com

Please contact us to use our **FREE DESIGN SERVICE**. We will provide a design with 3-D renderings and a no obligation quote.

## Grill Cabinet with Warming Drawer

Top View	Front View	3-D	Available Models	door	drwr	shelf	L / R
 <p>Depth is cabinet box WITHOUT door. The door plus spacer adds 1 inch (1") to the overall depth.</p>	 <p>grill and warming drawer not included</p>	 <p>Warming drawer is cut into cabinet below grill. Not all grills and warming drawers are compatible.</p>	DG-42-WARMING DG-45-WARMING DG-48-WARMING* DG-51-WARMING DG-54-WARMING DG-57-WARMING DG-60-WARMING DG-63-WARMING	0	0	0	N
			*shown in example	0	0	0	N
				0	0	0	N
				0	0	0	N
				0	0	0	N
				0	0	0	N
				0	0	0	N

**IMPORTANT: All grill cabinets require a factory manufactured insulating liner.**

**Please contact us for help locating a grill with an insulating liner.**

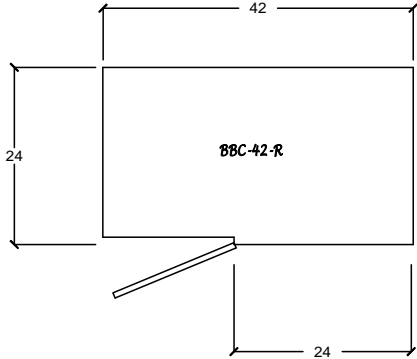
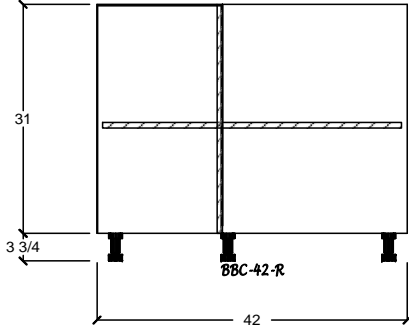
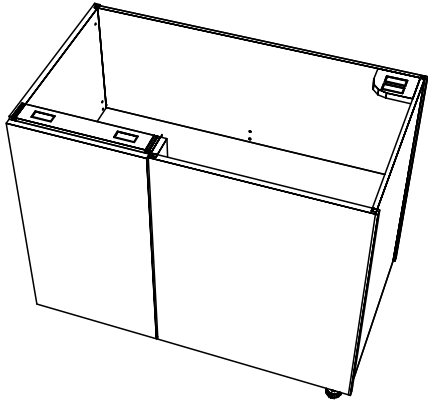
**Werever carries several lines of outdoor appliances and can provide grills, side burners, outdoor rated refrigeration, ice makers, keg machines, and beverage centers with cabinetry.**

Werever Outdoor Cabinetry  
 3900 South 50th Street  
 Tampa, FL 33619

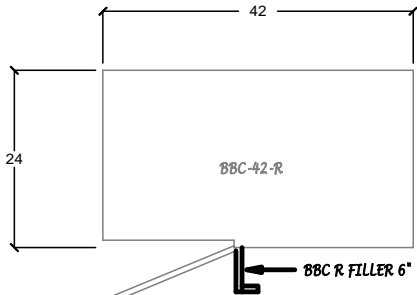
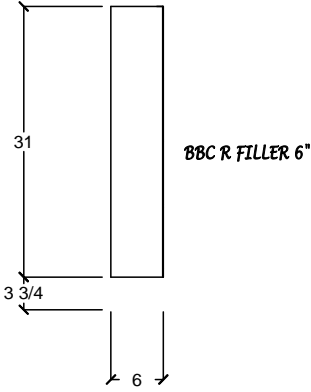
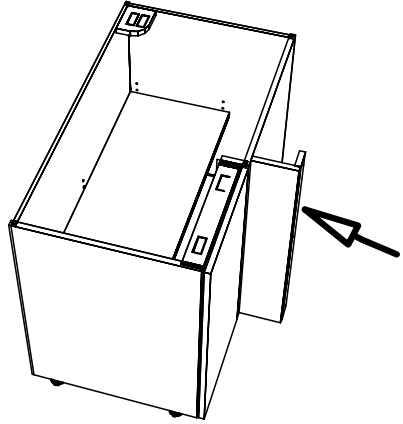
813.241.9701 - phone  
 813.241.9705 - fax  
 info@werever.com

**Please contact us to use our FREE DESIGN SERVICE. We will provide a design with 3-D renderings and a no obligation quote.**

## Blind Base Corner Cabinets - Standard Depth

Top View	Front View	3-D	Available Models	door	drwr	shelf	L / R
 <p>Depth is cabinet box WITHOUT door. The door plus spacer adds 1 inch (1") to the overall depth.</p>			BBC-36-R BBC-42-R*  BBC-36-L BBC-42-L	1 1  1 1	0 0  0 0	1 1  1 1	Y Y  Y Y
			*shown in example				

## Blind Base Corner Filler

Top View	Front View	3-D	Available Models	door	drwr	shelf	L / R
 <p>BBC Fillers attach to side of BBC cabinets to create room for door clearance to next cabinet.</p> <p>Depth is cabinet box WITHOUT door. The door plus spacer adds 1 inch (1") to the overall depth.</p>			BBC-Filler  Fillers can be ordered from 1.5 to 6 inches.  For larger sizes please call.	0	0	0	Y
			*shown in example				

Werever Outdoor Cabinetry  
 3900 South 50th Street  
 Tampa, FL 33619

813.241.9701 - phone  
 813.241.9705 - fax  
 info@werever.com

Please contact us to use our **FREE DESIGN SERVICE**. We will provide a design with 3-D renderings and a no obligation quote.

## Blind Base Corner Cabinets - Grill Depth

Top View	Front View	3-D	Available Models	door	drwr	shelf	L / R
<p>BBC-42-R</p>	<p>BBC-42-R</p>		BBC-36-R 27 BBC-42-R 27*  BBC-36-L 27 BBC-42-L 27	1 1  1 1	0 0  0 0	1 1  1 1	Y Y  Y Y
<p>Depth is cabinet box WITHOUT door. The door plus spacer adds 1 inch (1") to the overall depth.</p>			<p>*shown in example</p>				

## Open Shelf Base Cabinets

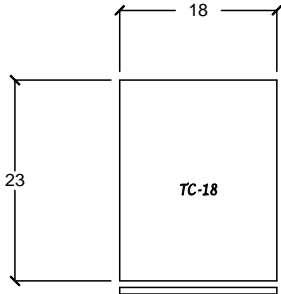
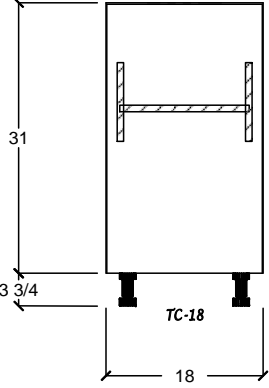
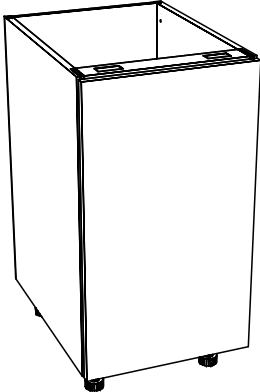
Top View	Front View	3-D	Available Models	door	drwr	shelf	L / R
<p>OB-18</p>	<p>OB-18</p>		OB-9 OB-12 OB-15 OB-18* OB-21 OB-24 OB-27 OB-30	0 0 0 0 0 0 0 0	0 0 0 0 0 0 0 0	2 2 2 2 2 2 2 2	N N N N N N N N
<p>Depth is cabinet box WITHOUT door. The door plus spacer adds 1 inch (1") to the overall depth.</p>			<p>*shown in example</p>				

Werever Outdoor Cabinetry  
 3900 South 50th Street  
 Tampa, FL 33619

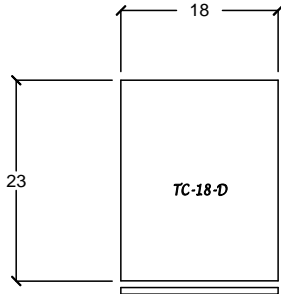
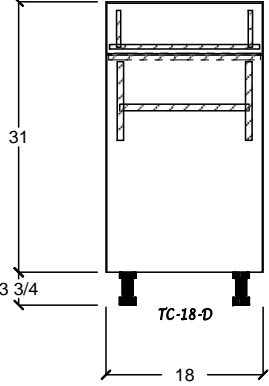
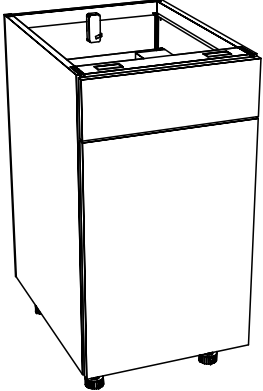
813.241.9701 - phone  
 813.241.9705 - fax  
 info@werever.com

Please contact us to use our **FREE DESIGN SERVICE**. We will provide a design with 3-D renderings and a no obligation quote.

## Pull-Out Trash Cabinet

Top View	Front View	3-D	Available Models	door	drwr	shelf	L / R
 <p>TC-18</p> <p>Depth is cabinet box WITHOUT door. The door plus spacer adds 1 inch (1") to the overall depth.</p>	 <p>TC-18</p>		TC-15 TC-18*	1 1	0 0	0 0	N N
			*shown in example				

## Pull-Out Trash Cabinet with Drawer

Top View	Front View	3-D	Available Models	door	drwr	shelf	L / R
 <p>TC-18-D</p> <p>Depth is cabinet box WITHOUT door. The door plus spacer adds 1 inch (1") to the overall depth.</p>	 <p>TC-18-D</p>		TC-15-D TC-18-D*	1 1	1 1	0 0	N N
			*shown in example				

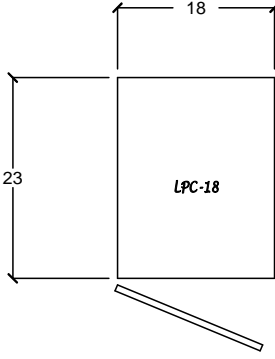
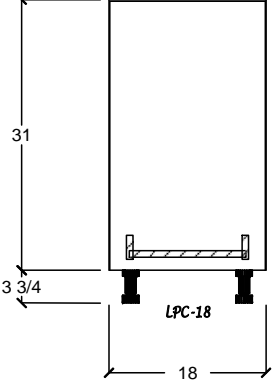
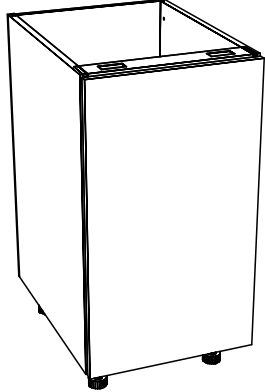
Werever Outdoor Cabinetry  
 3900 South 50th Street  
 Tampa, FL 33619

813.241.9701 - phone  
 813.241.9705 - fax  
 info@werever.com

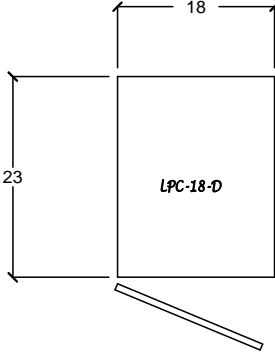
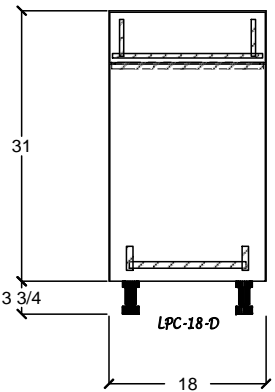
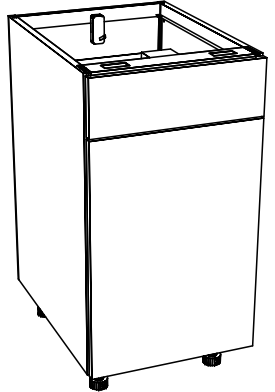
Please contact us to use our **FREE DESIGN SERVICE**. We will provide a design with 3-D renderings and a no obligation quote.



## Pull-Out LP Tank Cabinet

Top View	Front View	3-D	Available Models	door	drwr	shelf	L / R
 <p>Depth is cabinet box WITHOUT door. The door plus spacer adds 1 inch (1") to the overall depth.</p>			LPC-18*	1	0	0	N
			*shown in example				

## Pull-Out LP Tank Cabinet with Drawer

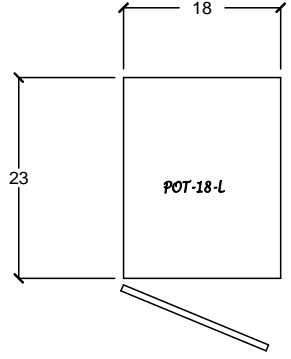
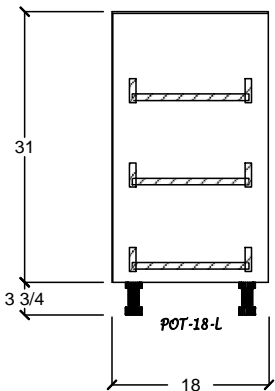
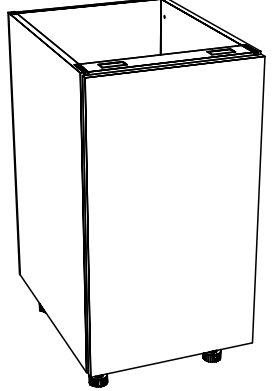
Top View	Front View	3-D	Available Models	door	drwr	shelf	L / R
 <p>Depth is cabinet box WITHOUT door. The door plus spacer adds 1 inch (1") to the overall depth.</p>			LPC-18-D*	1	1	0	N
			*shown in example				

Werever Outdoor Cabinetry  
 3900 South 50th Street  
 Tampa, FL 33619

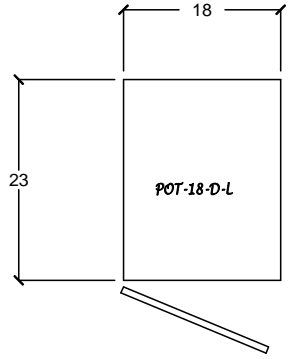
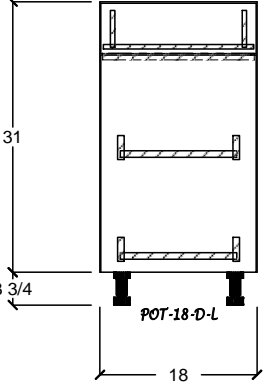
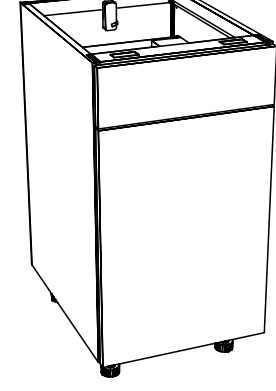
813.241.9701 - phone  
 813.241.9705 - fax  
 info@werever.com

Please contact us to use our **FREE DESIGN SERVICE**. We will provide a design with 3-D renderings and a no obligation quote.

## Pull-Out Tray Full Height Door

Top View	Front View	3-D	Available Models	door	drwr	shelf	L / R
 <p>POT-18-L</p> <p>Depth is cabinet box WITHOUT door. The door plus spacer adds 1 inch (1") to the overall depth.</p>	 <p>POT-18-L</p>		POT-15 POT-18* POT-21 POT-24	1 1 2 2	0 0 0 0	0 0 0 0	Y Y N N
			*shown in example				

## Pull-Out Tray with Drawer

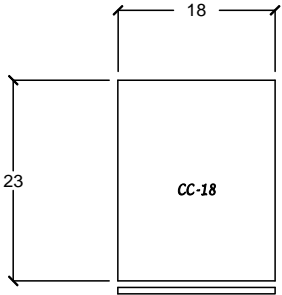
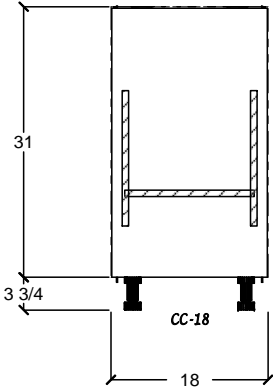
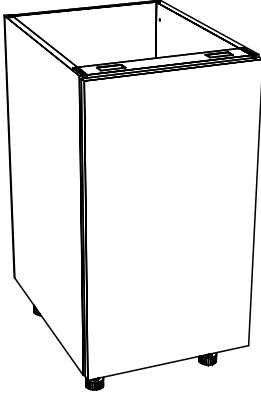
Top View	Front View	3-D	Available Models	door	drwr	shelf	L / R
 <p>POT-18-D-L</p> <p>Depth is cabinet box WITHOUT door. The door plus spacer adds 1 inch (1") to the overall depth.</p>	 <p>POT-18-D-L</p>		POT-15-D POT-18-D* POT-21-D POT-24-D	1 1 2 2	1 1 1 1	0 0 0 0	Y Y N N
			*shown in example				

Werever Outdoor Cabinetry  
 3900 South 50th Street  
 Tampa, FL 33619

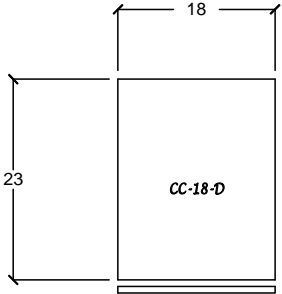
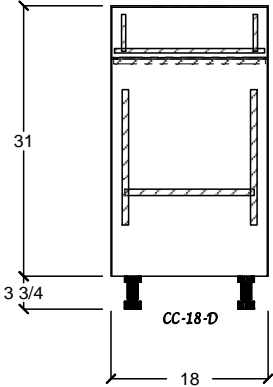
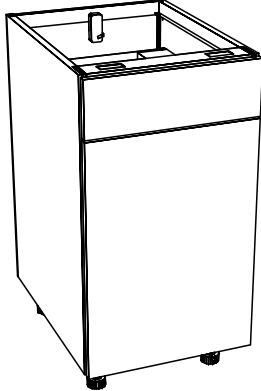
813.241.9701 - phone  
 813.241.9705 - fax  
 info@werever.com

Please contact us to use our **FREE DESIGN SERVICE**. We will provide a design with 3-D renderings and a no obligation quote.

## Pull-Out Cooler Tray Cabinet

Top View	Front View	3-D	Available Models	door	drwr	shelf	L / R
 <p>Depth is cabinet box WITHOUT door. The door plus spacer adds 1 inch (1") to the overall depth.</p>	 <p>Cooler not included</p>		CC-15 CC-18	1 1	0 0	0 0	N N
			*shown in example				

## Pull-Out Cooler Tray Cabinet with Drawer

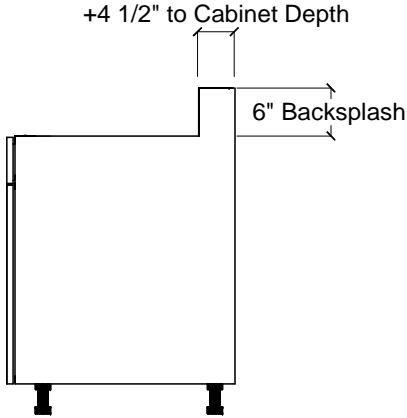
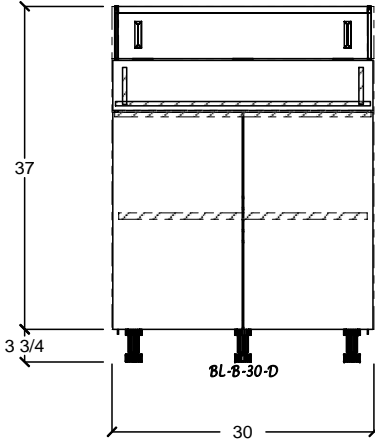
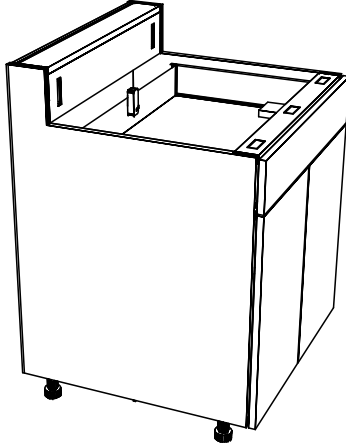
Top View	Front View	3-D	Available Models	door	drwr	shelf	L / R
 <p>Depth is cabinet box WITHOUT door. The door plus spacer adds 1 inch (1") to the overall depth.</p>	 <p>Cooler not included</p>		CC-15-D CC-18-D	1 1	1 1	0 0	N N
			*shown in example				

Werever Outdoor Cabinetry  
 3900 South 50th Street  
 Tampa, FL 33619

813.241.9701 - phone  
 813.241.9705 - fax  
 info@werever.com

Please contact us to use our **FREE DESIGN SERVICE**. We will provide a design with 3-D renderings and a no obligation quote.

## Bi Level (or Bar Height) Cabinets

Top View	Front View	3-D	Bi Level Description
 <p>+4 1/2" to Cabinet Depth</p> <p>6" Backsplash</p>	 <p>37</p> <p>3 3/4</p> <p>30</p> <p>BL-B-30-D</p>		<p>Bi Level (or Bar Height) cabinets are a unique shape created by Werever. Standard base cabinets can be ordered in a Bi-Level version, which has an extended back with a raised backsplash. This allows you to create a bar section without having to build a retaining or knee wall. The Bi-Level cabinets are built as a single structural piece with no seams in the cabinet sides. This not only gives a finished look, but also provides strength through the sides and bar section.</p>

**These base cabinets can be ordered in a Bi-Level (or Bar Height) version.**

Bi-Level Full Height Door	Bi-Level Base with Drawer	Bi-Level Sink Full Height Door	Bi-Level Sink False Drawer Face
BL-B-9	BL-B-9-D	BL-SBFH-9	BL-SB-9
BL-B-12	BL-B-12-D	BL-SBFH-12	BL-SB-12
BL-B-15	BL-B-15-D	BL-SBFH-15	BL-SB-15
BL-B-18	BL-B-18-D	BL-SBFH-18	BL-SB-18
BL-B-21	BL-B-21-D	BL-SBFH-21	BL-SB-21
BL-B-24	BL-B-24-D	BL-SBFH-24	BL-SB-24
BL-B-27	BL-B-27-D	BL-SBFH-27	BL-SB-27
BL-B-30	BL-B-30-D	BL-SBFH-30	BL-SB-30
BL-B-33		BL-SBFH-33	BL-SB-33
BL-B-36		BL-SBFH-36	BL-SB-36
		BL-SBFH-39	BL-SB-39
		BL-SBFH-42	BL-SB-42
		BL-SBFH-45	BL-SB-45
		BL-SBFH-48	BL-SB-48
			BL-SB-51
			BL-SB-54
			BL-SB-57

Werever Outdoor Cabinetry  
3900 South 50th Street  
Tampa, FL 33619

813.241.9701 - phone  
813.241.9705 - fax  
info@werever.com

Please contact us to use our **FREE DESIGN SERVICE**. We will provide a design with 3-D renderings and a no obligation quote.

## Bi-Level (or Bar Height) Cabinet List - continued

Bi-Level Sink Base Tilt-Out	Bi-Level Three Drawer Base	Bi-Level Four Drawer Base	Bi-Level Standard Grill Cabinets	
BL-SB-9-TILT OUT	BL-DB-9-3	BL-DB-24-4	BL-DG-27	BL-DG-48
BL-SB-12-TILT OUT	BL-DB-12-3	BL-DB-27-4	BL-DG-30	BL-DG-51
BL-SB-15-TILT OUT	BL-DB-15-3		BL-DG-33	BL-DG-54
BL-SB-18-TILT OUT	BL-DB-18-3		BL-DG-36	BL-DG-57
BL-SB-21-TILT OUT	BL-DB-21-3		BL-DG-39	BL-DG-60
BL-SB-24-TILT OUT			BL-DG-42	BL-DG-63
BL-SB-27-TILT OUT			BL-DG-45	
BL-SB-30-TILT OUT				

Bi-Level Side Burner Cabinets	Bi-Level Blind Base - Standard Depth	Bi-Level Blind Base Corner - Grill Depth	Bi-Level Pull Out Tray with Drawer
BL-SIDE-15	BL-BBC-36-R	BL-BBC-36-R 27	BL-POT-15-D
BL-SIDE-18	BL-BBC-42-R	BL-BBC-42-R 27	BL-POT-18-D
BL-SIDE-21	BL-BBC-36-L	BL-BBC-36-L 27	BL-POT-21-D
BL-SIDE-24	BL-BBC-42-L	BL-BBC-42-L 27	BL-POT-24-D

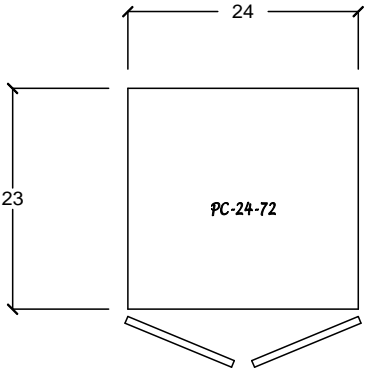
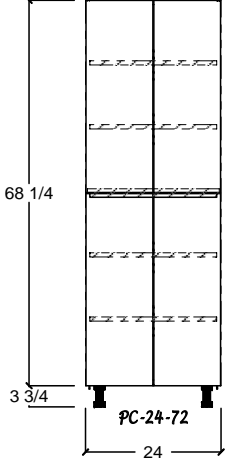
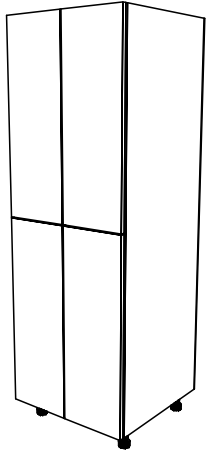
Bi-Level Pull Out Tray Full Height Door	Bi-Level Pull Out LP Tank Cabinet	Bi-Level Pull Out LP Tank with Drawer	Bi-Level Pull Out Trash Cabinet
BL-POT-15	BL-LPC-18	BL-LPC-18-D	BL-TC-15
BL-POT-18			BL-TC-18
BL-POT-21			
BL-POT-24			

Bi-Level Pull Out Trash with Drawer	Bi-Level Pull Out Cooler Cabinet	Bi-Level Pull Out Cooler with Drawer	Bi-Level Open Base	
BL-TC-15-D	BL-CC-15	BL-CC-15-D	BL-OB-9	BL-OB-21
BL-TC-18-D	BL-CC-18	BL-CC-18-D	BL-OB-12	BL-OB-24
			BL-OB-15	BL-OB-27
			BL-OB-18	BL-OB-30

Werever Outdoor Cabinetry    813.241.9701 - phone  
 3900 South 50th Street        813.241.9705 - fax  
 Tampa, FL 33619                info@werever.com

**Please contact us to use our FREE DESIGN SERVICE. We will provide a design with 3-D renderings and a no obligation quote.**

# Tall / Pantry Cabinets

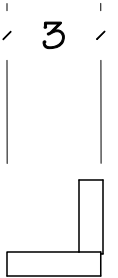
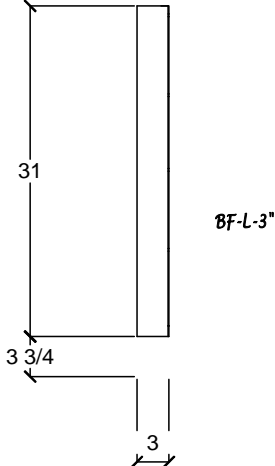
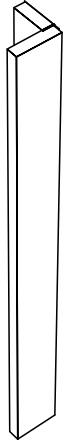
Top View	Front View	3-D	Available Models	door	drwr	shelf	L / R
			PC-18-60 PC-24-60 PC-18-72 PC-24-72* PC-18-84 PC-24-84	4 4 4 4 4 4	0 0 0 0 0 0	5 5 5 5 5 5	N N N N N N
<p>Depth is cabinet box WITHOUT door. The door plus spacer adds 1 inch (1") to the overall depth.</p>			<p>*shown in example</p>				

Werever Outdoor Cabinetry  
 3900 South 50th Street  
 Tampa, FL 33619

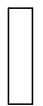
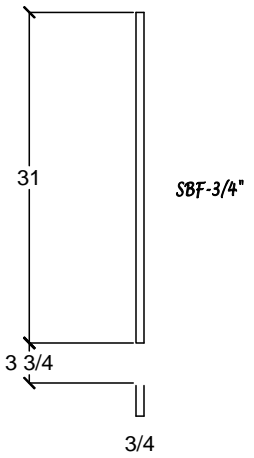
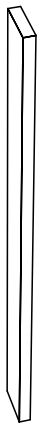
813.241.9701 - phone  
 813.241.9705 - fax  
 info@werever.com

Please contact us to use our **FREE DESIGN SERVICE**. We will provide a design with 3-D renderings and a no obligation quote.

## Base Filler

Top View	Front View	3-D	Available Models	door	drwr	shelf	L / R
 <p><b>BF-L-3"</b></p> <p>Fillers with returns can be trimmed with a table saw. Tip: Order extra-long filler and trim in the field.</p>	 <p><b>BF-L-3"</b></p>		BF-1 through BF-9  Fillers can be ordered from 1" to 9" and in fractions of an inch (ex. 2.5")  BF-3 shown in example	0	0	0	Y

## Small Base Filler

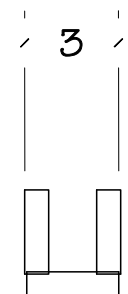

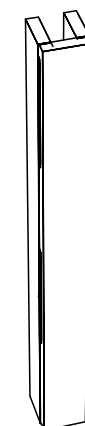
Top View	Front View	3-D	Available Models	door	drwr	shelf	L / R
 <p><b>SBF-3/4"</b></p> <p>Fillers less than 1 inch do not have a return.</p>	 <p><b>SBF-3/4"</b></p>		SBF-1/4 SBF-1/2 SBF-3/5  SBF-3/4 shown in example	0	0	0	N

Werever Outdoor Cabinetry  
3900 South 50th Street  
Tampa, FL 33619

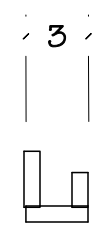
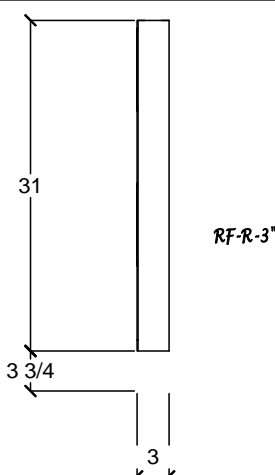
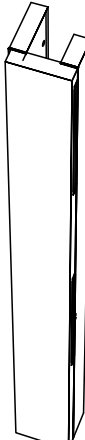
813.241.9701 - phone  
813.241.9705 - fax  
info@werever.com

Please contact us to use our **FREE DESIGN SERVICE**. We will provide a design with 3-D renderings and a no obligation quote.

## Base Filler with Double Return

Top View	Front View	3-D	Available Models	door	drwr	shelf	L / R
 <p><b>BF-DR-3"</b></p> <p>The width of Base Fillers with Double Returns cannot be modified in the field.</p>	 <p><b>BF-DR-3"</b></p>		BFDR-3 through BFDR-9  Double return fillers can be ordered from 3" to 9" and in fractions of an inch (ex. 3.5")	0	0	0	N
			BFDR-3 shown in example				

## Refrigerator Filler

Top View	Front View	3-D	Available Models	door	drwr	shelf	L / R
 <p>Cabinet on this side.</p> <p>Refrigerator on this side.</p> <p>Long return is outset from filler face to create gap that allows door and drawer clearance.</p> <p>Short return is flush with filler face.</p> <p><b>RF-R-3"</b></p> <p>Refrigerator Fillers help cover the visible gap when the refrigerator door is opened.</p>	 <p><b>RF-R-3"</b></p>		RF-3 through RF-9  Refrigerator Fillers can be ordered from 3" to 9" and in fractions of an inch (ex. 3.5")	0	0	0	Y
			RF-3-R shown in example				

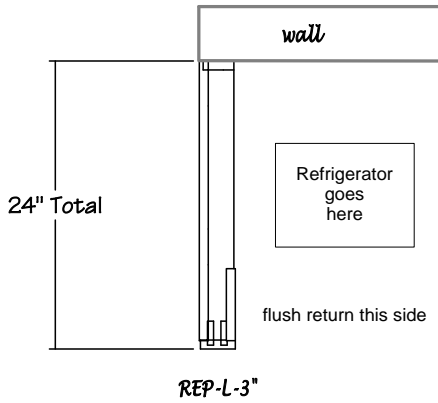
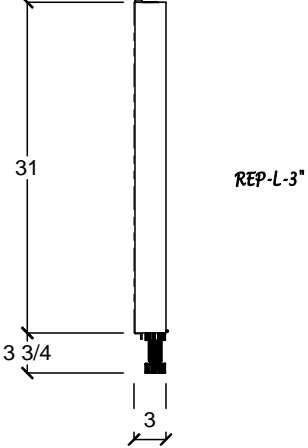
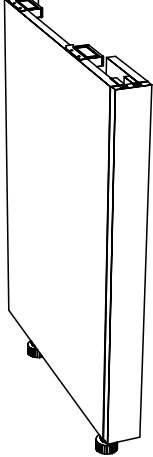
Werever Outdoor Cabinetry  
3900 South 50th Street  
Tampa, FL 33619

813.241.9701 - phone  
813.241.9705 - fax  
info@werever.com

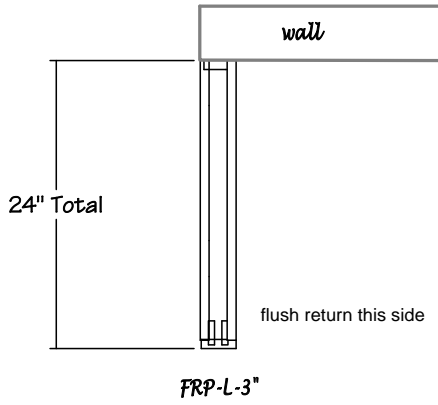
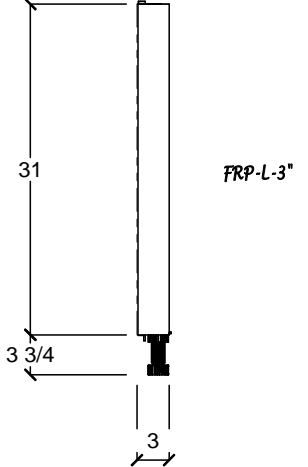
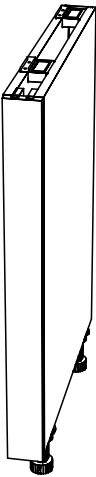
Please contact us to use our **FREE DESIGN SERVICE**. We will provide a design with 3-D renderings and a no obligation quote.



## Refrigerator End Panel

Top View	Front View	3-D	Available Models	door	drwr	shelf	L / R
 <p>24" Total</p> <p>Refrigerator goes here</p> <p>flush return this side</p> <p>REP-L-3"</p> <p>REP supports the countertop when a refrigerator is the last item on the cabinet run.</p>	 <p>31</p> <p>3 3/4</p> <p>3</p> <p>REP-L-3"</p>		REP-3*	0	0	0	Y
			*shown in example				

## Finished Return Panel

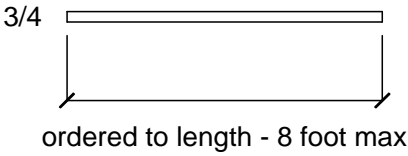
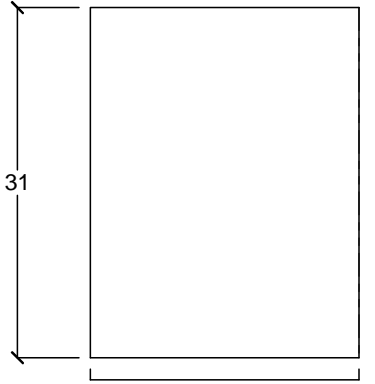
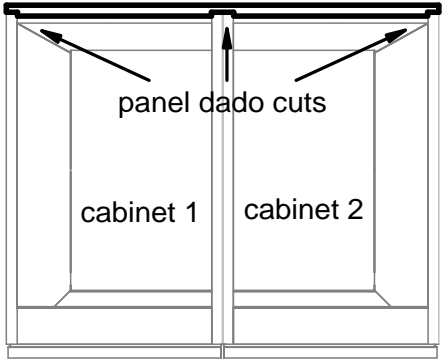
Top View	Front View	3-D	Available Models	door	drwr	shelf	L / R
 <p>24" Total</p> <p>flush return this side</p> <p>FRP-L-3"</p> <p>Finished Return Panel is similar to REP (above) but with a full finished return.</p>	 <p>31</p> <p>3 3/4</p> <p>3</p> <p>FRP-L-3"</p>		FRP-3*	0	0	0	Y
			*shown in example				

Werever Outdoor Cabinetry  
3900 South 50th Street  
Tampa, FL 33619

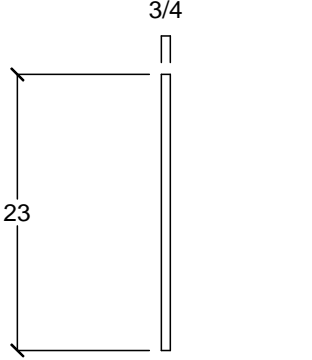
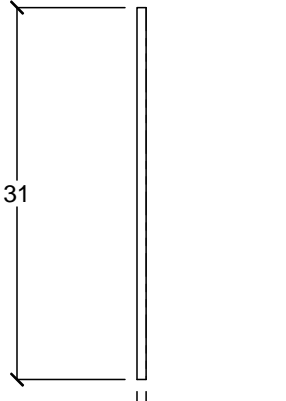
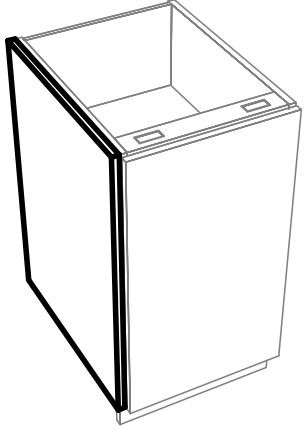
813.241.9701 - phone  
813.241.9705 - fax  
info@werever.com

Please contact us to use our **FREE DESIGN SERVICE**. We will provide a design with 3-D renderings and a no obligation quote.

## Finished Back Panel

Top View	Front View	3-D - Top View	Available Models	door	drwr	shelf	L / R
 <p>3/4 ordered to length - 8 foot max</p> <p><i>Finished Back Panel</i></p>	 <p>31 ordered to length - 8 foot max</p> <p><i>Standard Finished End Panel</i></p>	<p>Finished back panels span multiple cabinets, covering seams. Panels can be ordered with dado grooves to perfectly fit your unique run of cabinets for an easy and precise installation. Call for details.</p> 	<p>Standard FBP* Bi-Level FBP</p>	<p>0 0</p>	<p>0 0</p>	<p>0 0</p>	<p>N N</p>
<p>Depth is cabinet box WITHOUT door. The door plus spacer adds 1 inch (1") to the overall depth.</p>			<p>All cabinets have a solid structural back rather than a thin veneer with hanging rails. Finished back panels obscure seams and can also be upgraded with a decorative design.</p>	<p>*shown in example</p>			

## Finished End Panel

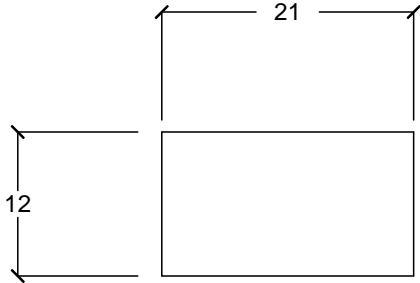
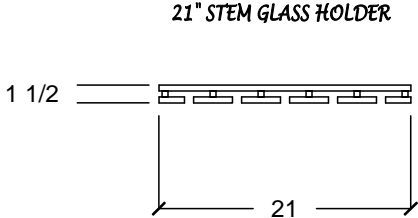
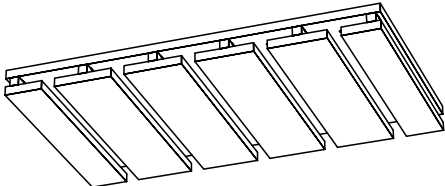
Top View	Front View	3-D	Available Models	door	drwr	shelf	L / R
 <p>3/4 23</p> <p><i>Standard Finished End Panel</i></p>	 <p>31 3/4</p> <p><i>Standard Finished End Panel</i></p>	 <p>Finished end panels can be decorated with an upgraded door style.</p>	<p>Standard FEP* Bi-Level FEP</p>	<p>0 0</p>	<p>0 0</p>	<p>0 0</p>	<p>Y Y</p>
<p>Finished End Panels exactly match the dimensions of the cabinet box's side.</p>			<p>All cabinets have solid, finished, presentable sides. FEP's are not required on the ends of cabinet runs. They give you the option of adding an upgraded door style. Panels can be ordered with modified dimensions.</p>	<p>*shown in example</p>			

Werever Outdoor Cabinetry  
3900 South 50th Street  
Tampa, FL 33619

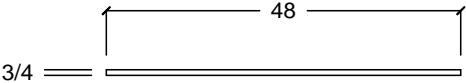
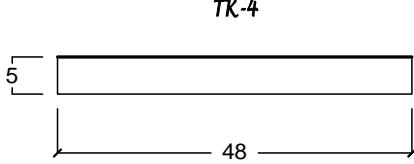
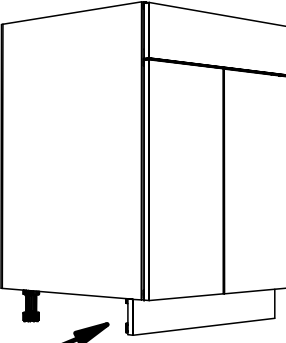
813.241.9701 - phone  
813.241.9705 - fax  
info@werever.com

Please contact us to use our **FREE DESIGN SERVICE**. We will provide a design with 3-D renderings and a no obligation quote.

## Stemware Glass Holder

Top View	Front View	3-D	Available Models	door	drwr	shelf	L / R
 <p>21" STEM GLASS HOLDER</p>	 <p>21" STEM GLASS HOLDER</p>		13" Stem Glass Holder 17" Stem Glass Holder 21" Stem Glass Holder*	0 0 0	0 0 0	0 0 0	N N N
<p>Stemware Glass Holders mount under WALL cabinets.</p>			<p>*shown in example</p>				

## Toe Kick Panels

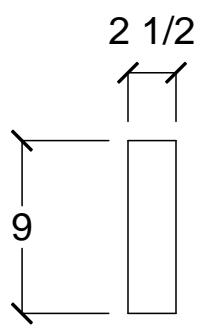
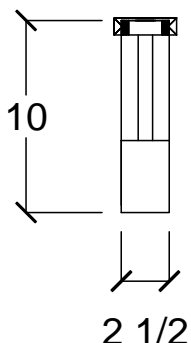
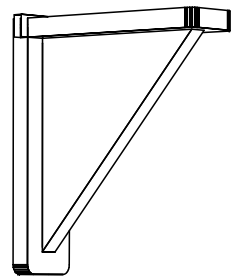
Top View	Front View	3-D	Available Models	door	drwr	shelf	L / R
 <p>TK-4</p>	 <p>TK-4</p>	 <p>installed toe kick</p>	TK-4* TK-8	0 0	0 0	0 0	N N
<p>Please call for toe kick panels greater than 5" tall.</p>			<p>Toe kick panels are available in 4 foot or 8 foot lengths.</p> <p>Toe kick's 5-inch height is intended to be trimmed in the field using a table saw to fit the height of the leveling legs of your particular installation.</p> <p>*shown in example</p>				
			<p>Toe Kick attaches to leveling legs with clips (included)</p>				

Werever Outdoor Cabinetry  
 3900 South 50th Street  
 Tampa, FL 33619

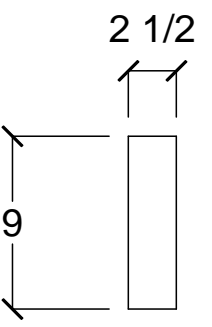
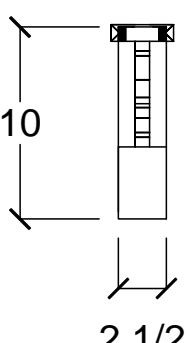
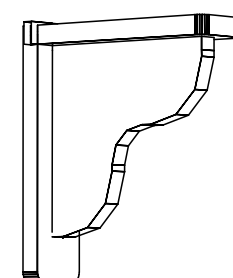
813.241.9701 - phone  
 813.241.9705 - fax  
 info@werever.com

Please contact us to use our **FREE DESIGN SERVICE**. We will provide a design with 3-D renderings and a no obligation quote.

## Standard Corbel

Top View	Front View	3-D	Available Models	door	drwr	shelf	L/R
 <p>2 1/2</p> <p>9</p> <p>CORB-S</p>	 <p>CORB-S</p> <p>10</p> <p>2 1/2</p>		CORB-S*	0	0	0	N
			*shown in example				

## Deluxe Corbel

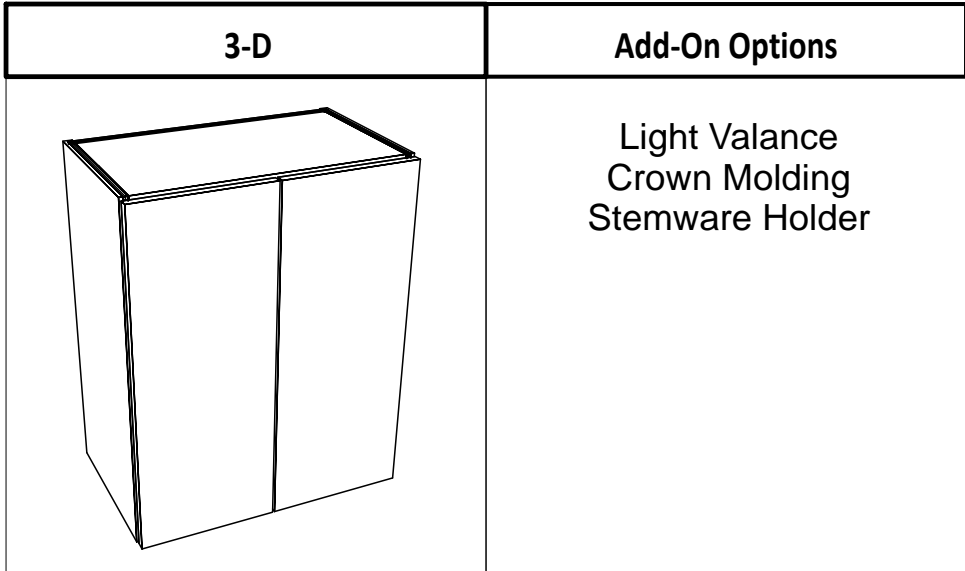
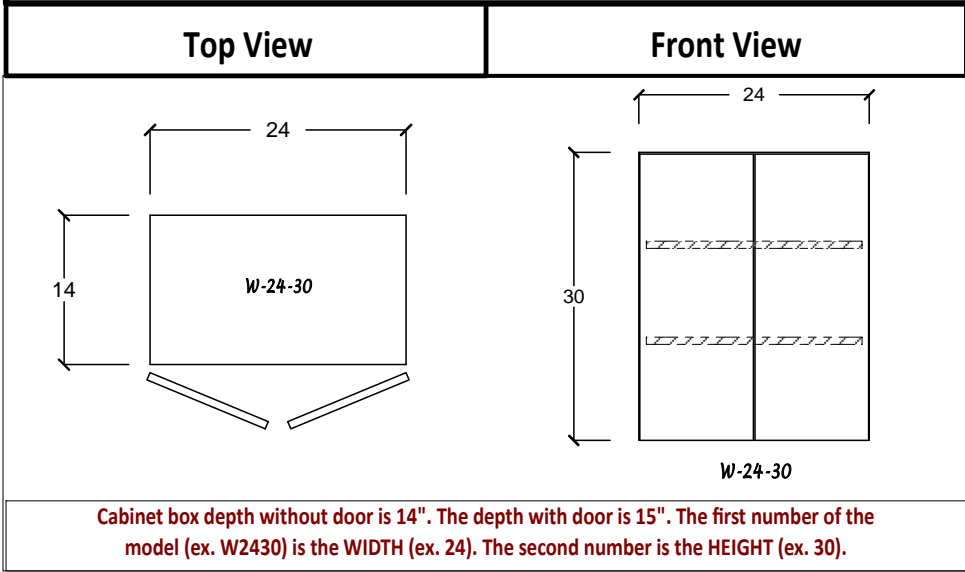
Top View	Front View	3-D	Available Models	door	drwr	shelf	L/R
 <p>2 1/2</p> <p>9</p> <p>CORB-D</p>	 <p>CORB-D</p> <p>10</p> <p>2 1/2</p>		CORB-D*	0	0	0	N
			*shown in example				

Werever Outdoor Cabinetry  
3900 South 50th Street  
Tampa, FL 33619

813.241.9701 - phone  
813.241.9705 - fax  
info@werever.com

Please contact us to use our **FREE DESIGN SERVICE**. We will provide a design with 3-D renderings and a no obligation quote.

# Wall Cabinets

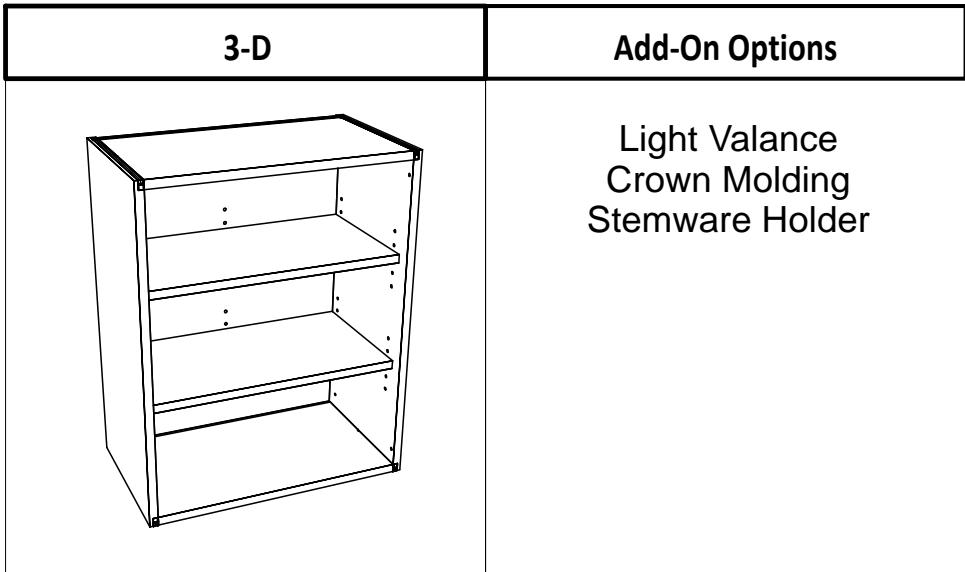
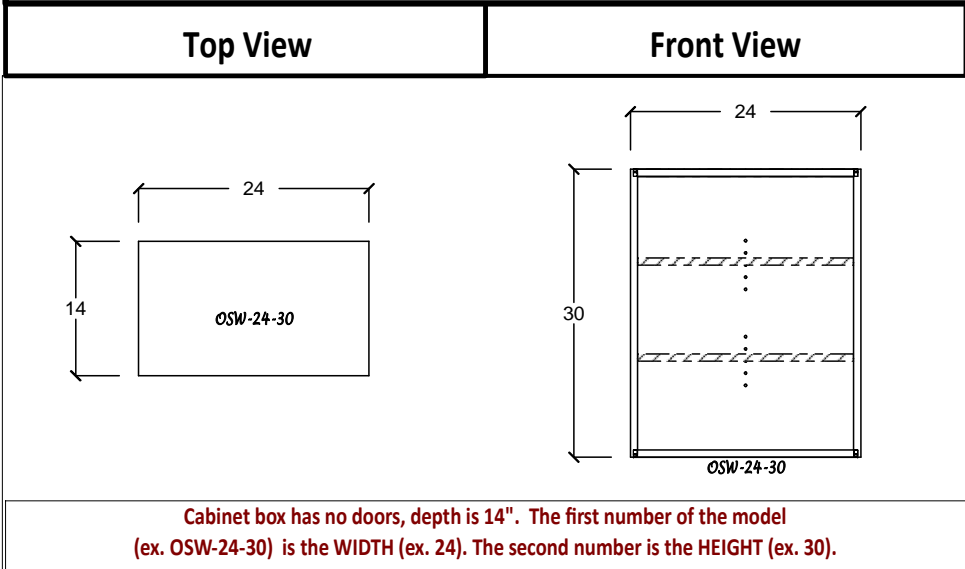


Single Door		shelf	Double Door		shelf
12" Tall	W912	0	12" Tall	W2112	0
	W1212	0		W2412	0
	W1512	0		W2712	0
	W1812	0			
15" Tall	W915	0	15" Tall	W2115	0
	W1215	0		W2415	0
	W1515	0		W2715	0
	W1815	0			
18" Tall	W918	0	18" Tall	W2118	0
	W1218	0		W2418	0
	W1518	0		W2718	0
	W1818	0			
21" Tall	W921	1	21" Tall	W2121	1
	W1221	1		W2421	1
	W1521	1		W2721	1
	W1821	1			
24" Tall	W924	1	24" Tall	W2124	1
	W1224	1		W2424	1
	W1524	1		W2724	1
	W1824	1			
30" Tall	W930	2	30" Tall	W2130	2
	W1230	2		W2430	2
	W1530	2		W2730	2
	W1830	2			
36" Tall	W936	2	36" Tall	W2136	2
	W1236	2		W2436	2
	W1536	2		W2736	2
	W1836	2			
42" Tall	W942	3	42" Tall	W2142	3
	W1242	3		W2442	3
	W1542	3		W2742	3
	W1842	3			

Werever Outdoor Cabinetry      813.241.9701 - phone  
 3900 South 50th Street          813.241.9705 - fax  
 Tampa, FL 33619                    info@werever.com

**Please contact us to use our FREE DESIGN SERVICE. We will provide a design with 3-D renderings and a no obligation quote.**

# Open Shelf Wall Cabinets

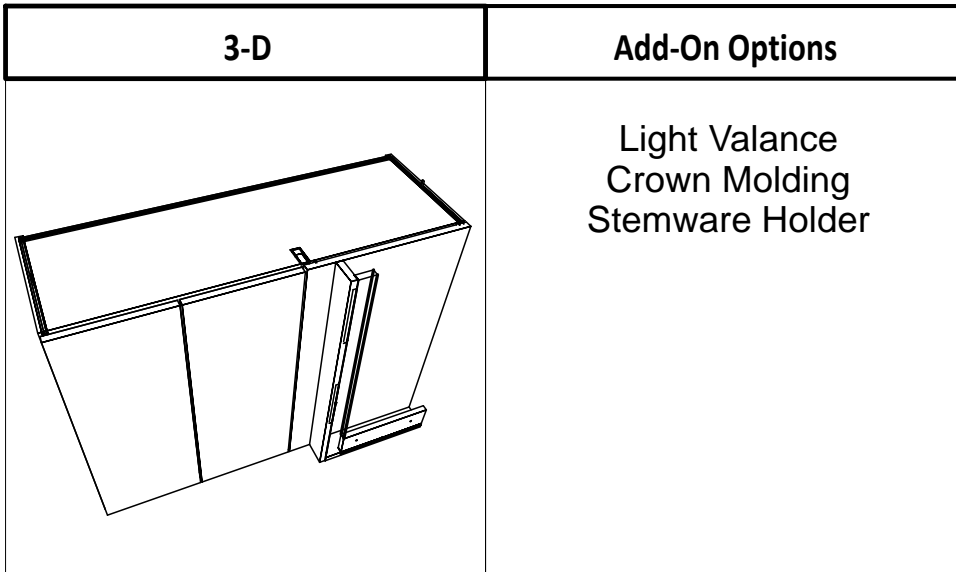
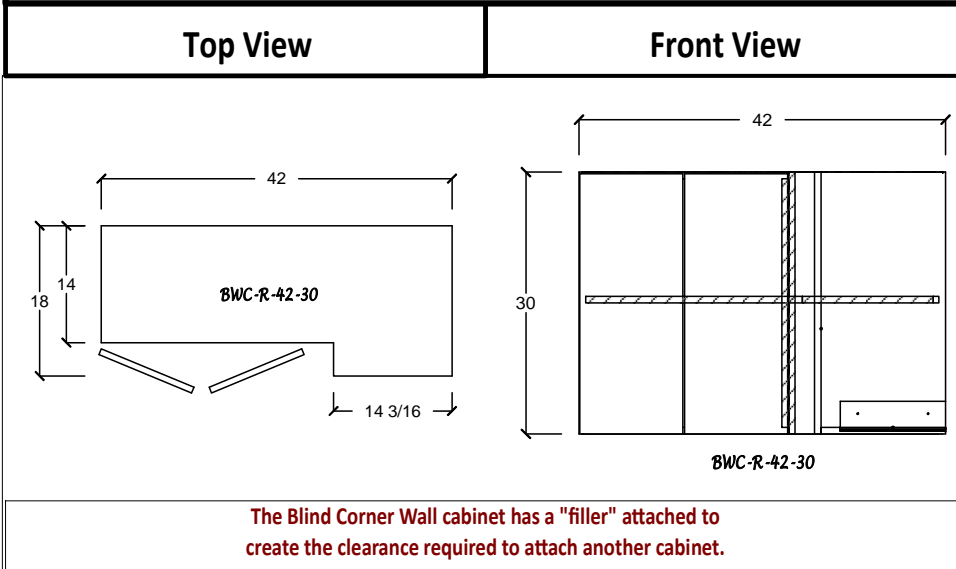


Models		shelf
30" Tall	OSW-9-30	2
	OSW-12-30	2
	OSW-15-30	2
	OSW-18-30	2
	OSW-21-30	2
	OSW-24-30*	2
	OSW-27-30	2
36" Tall	OSW-9-36	2
	OSW-12-36	2
	OSW-15-36	2
	OSW-18-36	2
	OSW-21-36	2
	OSW-24-36	2
	OSW-27-36	2
42" Tall	OSW-9-42	3
	OSW-12-42	3
	OSW-15-42	3
	OSW-18-42	3
	OSW-21-42	3
	OSW-24-42	3
	OSW-27-42	3
*model shown		

Werever Outdoor Cabinetry      813.241.9701 - phone  
 3900 South 50th Street          813.241.9705 - fax  
 Tampa, FL 33619                  info@werever.com

**Please contact us to use our FREE DESIGN SERVICE. We will provide a design with 3-D renderings and a no obligation quote.**

# Blind Corner Wall Cabinets



Single Door		shelf	Double Door		shelf
36" Wide	BWC-R-36-24	1	42" Wide	BWC-R-42-24	1
	BWC-R-36-30	1		BWC-R-42-30*	1
	BWC-R-36-36	1		BWC-R-42-36	1
	BWC-R-36-42	1		BWC-R-42-42	1
36" Wide	BWC-L-36-24	1	42" Wide	BWC-L-42-24	1
	BWC-L-36-30	1		BWC-L-42-30	1
	BWC-L-36-36	1		BWC-L-42-36	1
	BWC-L-36-42	1		BWC-L-42-42	1
*model shown			*model shown		

Werever Outdoor Cabinetry    813.241.9701 - phone  
 3900 South 50th Street        813.241.9705 - fax  
 Tampa, FL 33619                info@werever.com

Please contact us to use our **FREE DESIGN SERVICE**. We will provide a design with 3-D renderings and a no obligation quote.



## **PRODUCT GUIDE SPECIFICATIONS**

### **Polyethylene Casework**

#### **Section 12 34 00**

---

#### **Part 1 General**

##### **1.1 Description of Work.**

- A. All polyethylene casework shall be furnished, installed and shall be demonstrated to properly perform in accordance with the specifications stated herein.

##### **1.2 Products**

- A. Polyethylene Casework of a Stock or Custom Design.

##### **1.3 Related Sections**

- A. Division 6
  - 1. Section "Rough Carpentry" for wood blocking to anchor manufactured polyethylene casework.
  - 2. Section "Solid Surface Fabrications" for countertops, including backsplash.

##### **1.4 Product Handling**

- A. Schedule delivery of polyethylene casework after installation area is sufficiently complete to allow for immediate installation.
- B. Protect finished surfaces from soiling or damage during handling and installation with a protective covering.

##### **1.5 Project Conditions**

- A. Do not deliver or install polyethylene casework until the flooring required to be placed under polyethylene casework is complete.
- B. Field Measurements: Verify actual dimensions of construction contiguous with manufactured polyethylene casework by field measurements before fabrication. Coordinate field measurements and fabrication schedule with construction progress to avoid construction delays. Where field measurements cannot be made without delaying the work, establish dimensions and proceed with fabrication without field measurements. Coordinate construction to ensure that actual dimensions correspond to established dimensions.

##### **1.6 Submittals**

- A. Comply with the requirements of Section 01 33 00 – Submittal Procedures, unless otherwise indicated.
- B. Product Data: Manufacturer's data and installation instructions on each item of casework to be used. Include component dimensions and configurations, construction details, description of joinery, preparation and installation instructions and maintenance recommendations.
- C. Shop Drawings: Include plans, elevations, sections, details, and attachments to other work. Show fabrication details, including types and locations of hardware. Show installation details, including filler panels. If available, indicate manufacturer's catalog numbers for casework.
- D. Samples: Submit samples of polyethylene panel material and the full range of colors available.

##### **1.7 Quality Assurance**

- A. Manufacturer Qualifications: Not less than five (5) years of experience in the actual production of polyethylene casework.
- B. Single Source Responsibility: Polyethylene casework shall be manufactured from a single source and from a single manufacturer.



## 1.8 References

- A. Comply with all applicable trade standards, ordinances, building codes and regulations and those standards and references listed (where applicable).
- B. Approval for Food-Safe Contact from the Food and Drug Administration (FDA).
- C. Meet or exceed standards established by American Nat'l Stand. Institute/Business & Institutional Furniture Mfr. Assoc. (ANSI/BIFMA) for casework, X5.9-2004 – Storage Units, in each of the categories listed below:
  - 1. Section 4.2 Functional Load Test
  - 2. Section 4.3 Proof Load Test
  - 3. Section 5 Leg/Glide Assembly Strength Test
  - 4. Section 6 Racking Resistance Test
  - 5. Section 7.1 Top Load Ease Test - Cyclical
  - 6. Section 8.2 Upward Force Disengagement
  - 7. Section 9.3 Stability Test Type I Units with at least 1 Extendible Element
  - 8. Section 9.4 Stability Test Type I Units with Multiple Extendible Element
  - 9. Section 10 Storage Unit Drop Test
  - 10. Section 12 Rebound Test
  - 11. Section 13 One Stop Test
  - 12. Section 15.2.2 Cycle Test for Extendible Elements Wider than Deep
  - 13. Section 17.2 Strength Test for Hinged Doors
  - 14. Section 17.3 Hinge Override Test
  - 15. Section 17.6 Wear and Fatigue Test
  - 16. Section 17.11 Slam Closed Test
  - 17. Section 20 Pull Force Test
- D. Adjustable to ADA Height Requirements of 33-1/2”.

## 1.9 Materials

- A. Appendix 1: Typical Properties of UV-High Density Polyethylene (HDPE).
- B. Appendix 2: Test Results for X5.9-2004 – Storage Units.

## 1.10 Warranty

- A. Polyethylene casework and hardware shall be warranted for a period three (3) years, from the date of delivery by Manufacturer, and shall cover only defects in material and/or workmanship. Defects reported to Manufacturer in writing prior to the expiration of the warranty period shall be repaired or replaced at Manufacturer's option.

# Part 2 - Products

## 2.1 Manufacturers

- A. Acceptable Manufacturer. Wer/Ever Products, Inc., 3900 South 50<sup>th</sup> Street, Tampa, Florida 33619, (888) 324-3837, [www.werever.com](http://www.werever.com). All polyethylene casework shall be the product of one manufacturer and shall be fabricated at one geographic location to ensure product consistency, shipping continuity, and single-source responsibility.
- B. Products of other polyethylene casework manufacturers may be used as an approved equal provided they meet the product characteristics specified herein. No known equal exists.
- C. For manufacturers and/or suppliers not listed, submittal for approval must be received by the Architect ten (10) calendar days prior to bid. No exceptions.

## 2.2 Materials, General

- A. Materials:
  - 1. Casework.
    - a) Casework bodies, drawer heads, drawer bodies, drawer guides, shelves, and door assemblies shall be fabricated from marine grade high density polyethylene (HDPE) that contains a UV inhibitor, and is FDA approved for food-safe contact.

- b) Colors shall be chosen by the Architect from the full range of standard colors available from the manufacturer.
  - c) Door and drawer styles shall be chosen by the Architect from the full range of standard door and drawer styles available from the manufacturer.
2. Casework Hardware
- a) Doors shall be equipped with 304 stainless steel 110 degree self-closing hinges securely fastened to doors and casework with stainless steel screws.
  - b) Door and drawer pulls shall be made of stainless steel, securely fastened to doors and drawers with screws (if applicable).
  - c) Casework and extendible elements may contain stainless steel screws and or nails for non-support purposes.
  - d) Casework shall be equipped with plastic cabinet legs adjustable from 3 ¾" to 5 ¾" with a load capacity of not less than 250 pounds per leg.
  - e) Shelving height shall be adjustable, but shelf pins shall secure the shelf in place using corrosive resistant pins.

### 2.3 Casework Fabrication.

- A. Polyethylene Material: All polyethylene casework shall be constructed using polyethylene sheets with the following thicknesses:
- 1. Side panels shall be cut from ¾" solid HDPE.
  - 2. Floor panel shall be cut from ¾" solid HDPE.
  - 3. Back panel shall be cut from ½" solid HDPE.
  - 4. Drawer face shall be cut from ¾" solid HDPE.
  - 5. Drawer box front, sides, back and bottom shall be cut from ½" solid HDPE.
  - 6. Door panels shall be cut from ¾" solid HDPE.
  - 7. Shelves shall be cut from ¾" solid HDPE.
  - 8. Top spreaders shall be constructed of ¾" solid HDPE.
  - 9. Drawer guides shall be constructed of ½" solid HDPE.
- B. Casework Assembly: Polyethylene casework shall be cut and assembled without any supporting metal or hardware. All casework cuts shall be made using a computer numerical control (CNC) machine, to ensure precision cutting for consistent quality and rigidity of completed casework, and shall be assembled as follows:
- 1. Each polyethylene panel shall be cut with channels that will allow all polyethylene panels to slide snugly together and lock in place.
  - 2. Interior side panels of base and wall casework shall be pre-drilled using a CNC machine, except where otherwise indicated, for uniform attachment of adjacent casework.
  - 3. Adjustable shelves shall have a mechanism for securing the shelves from moving, using non-metal corrosive-resistant pins.
  - 4. Drawer faces shall be attached to the face of a drawer box to provide for additional strength to the drawer.
  - 5. Drawer slides shall be made from a non-metal corrosive resistant material.
  - 6. Door panels shall be attached to side panels using not less than three (3) 304 stainless steel 110 degree self-closing hinges.
  - 7. Top spreaders shall be designed to enable use of a countertop adhesive to adhere the countertop to the casework.
  - 8. All surfaces and joints shall be flat and free of any welds.
  - 9. All exposed casework edges and corners must be beveled, cleaned, and deburred for a safe and finished appearance. All casework must have deburred door corners.
  - 10. Casework adjustable leg bases shall be attached from the underside of the bottom panels using four (4) stainless steel screws.
- C. Performance Requirements. All Polyethylene Casework shall meet the following MINIMUM standards:
- 1. Casework body shall be waterproof;
  - 2. Casework shall be UV stabilized for direct sun exposure;
  - 3. Casework shall be manufactured from solid color material;
  - 4. Casework shall be FDA approved for food-safe contact;
  - 5. Casework material shall be rated as not less than a Class C under ASTM E-84;

6. Casework shall be self-supporting and pre-drilled for connection to adjoining casework;
7. Casework shall support not less than 0.4 lbs. per square inch of countertop;
8. All drawers shall be able to functionally support not less than 0.026 lbs. per cubic inch;
9. Wall casework shall be able to support not less than 0.026 lbs. per cubic inch;
10. All shelves shall be able to support not less than 0.026 lbs. per cubic inch; and,
11. Casework shall be modular and able to be relocated at any time without requiring application of finished ends or other such parts.

### **Part 3 - Execution**

#### **3.1 Examination**

- A. Do not begin installation until substrates have been properly prepared.
- B. If substrate preparation is the responsibility of another installer, notify Architect of unsatisfactory preparation before proceeding.

#### **3.2.1 Coordination**

- A. Coordination with appropriate contractors, who shall furnish plumbing and electrical services which shall be passing through the casework.

#### **3.3 Preparation**

- A. Clean surfaces thoroughly prior to installation.

#### **3.4 Installation of Casework.**

- A. All exterior surface protective covering shall be left in place and removed only when the casework is ready for installation and only on surfaces that will be concealed during installation.
- B. Set casework components plumb, square, and straight with no distortion. Adjust leveling legs as needed. Where casework abuts other finished work, apply filler panels and scribe for accurate fit with fasteners concealed where practical.
- C. Set all base casework straight, level, and plumb. Adjust subtops within 1/4 inch of a single plane. Fasten casework to masonry or framing, wood blocking, or reinforcements in walls and partitions with fasteners. Bolt adjacent casework together with joints flush, tight, and uniform. Align similar adjoining doors and drawers to a tolerance of 1/16 inch.
  1. Where base casework is not installed adjacent to walls, fasten to floor at toe space with fasteners. Secure sides of casework to floor, where they do not adjoin other casework, with not less than two fasteners.
- D. Install hardware uniformly and precisely. Adjust and align hardware so moving parts operate freely and contact points meet accurately. Allow for final adjustment after installation.
- E. Adjust casework and hardware so doors and drawers operate smoothly without warp or bind. Lubricate operating hardware as recommended by manufacturer.

#### **3.5 Cleaning and Protecting.**

- A. Repair, or remove and replace, defective work as directed upon completion of installation.
- B. Clean finished surfaces to match original factory finish, as approved by Architect.
- C. Remove protection upon Substantial Completion.
- D. Do not write or mark casework with pencils, pens or permanent markers. Use dry erase markers if necessary to mark casework during installation.

-- END OF SECTION --